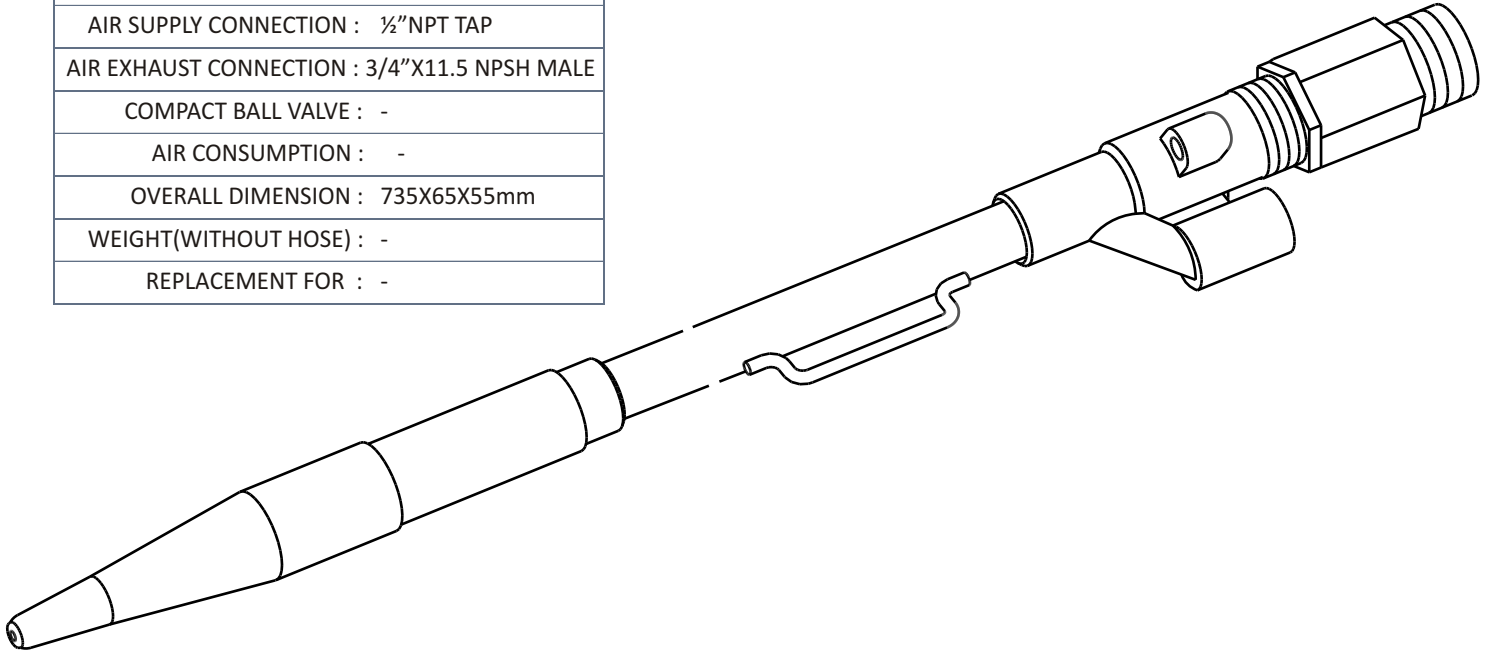


PAWAN R series of suction guns are straight suction type guns (no twist is applied to the yarn being sucked ). The suction is created by the flow of compressed air thru a plain ventury without any spiral flow of air .

### SPECIFICATION

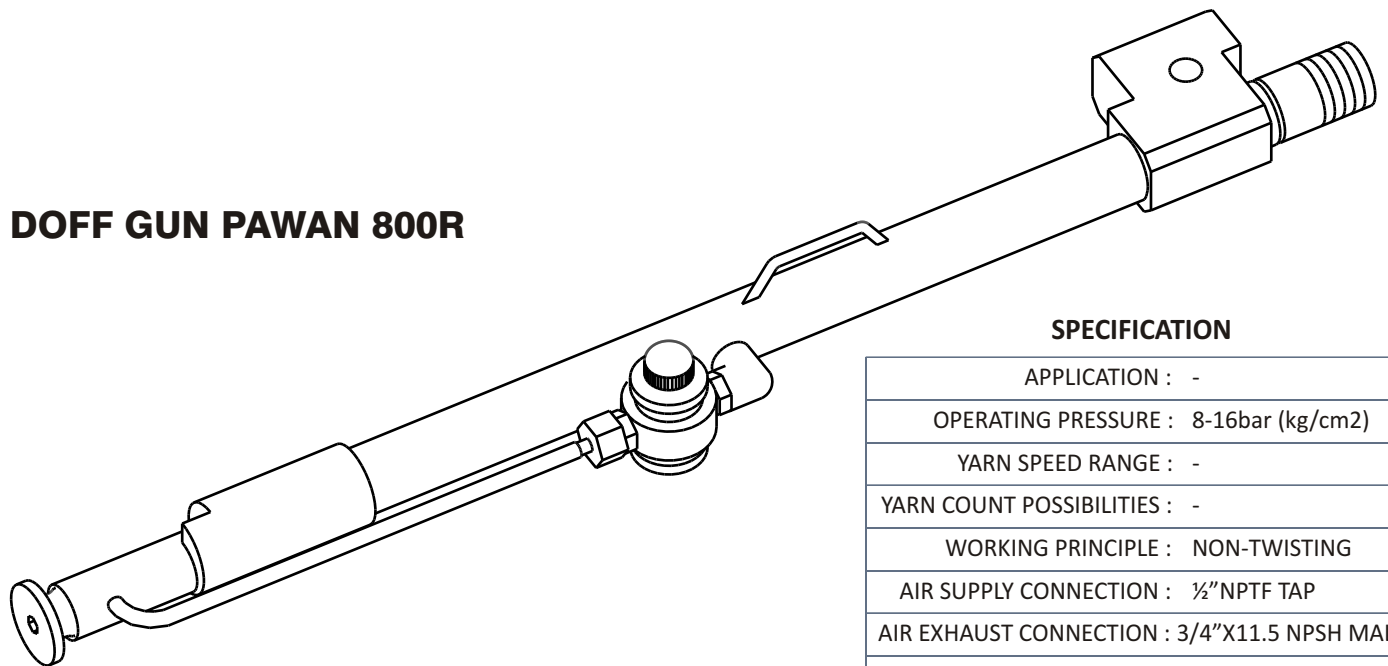
APPLICATION : -
OPERATING PRESSURE : 8-16bar (kg/cm2)
YARN SPEED RANGE : -
YARN COUNT POSSIBILITIES : -
WORKING PRINCIPLE : NON-TWISTING
AIR SUPPLY CONNECTION : ½"NPT TAP
AIR EXHAUST CONNECTION : ¾"X11.5 NPSH MALE
COMPACT BALL VALVE : -
AIR CONSUMPTION : -
OVERALL DIMENSION : 735X65X55mm
WEIGHT(WITHOUT HOSE) : -
REPLACEMENT FOR : -

### STRING-UP GUN PAWAN 700R



A mechanism in the head facilitates simultaneous suction cutting of yarn by pressing a button . It is possible to catch yarn in the traverse range .

### DOFF GUN PAWAN 800R



### SPECIFICATION

APPLICATION : -
OPERATING PRESSURE : 8-16bar (kg/cm2)
YARN SPEED RANGE : -
YARN COUNT POSSIBILITIES : -
WORKING PRINCIPLE : NON-TWISTING
AIR SUPPLY CONNECTION : ½"NPTF TAP
AIR EXHAUST CONNECTION : ¾"X11.5 NPSH MALE
COMPACT BALL VALVE : -
AIR CONSUMPTION : -
OVERALL DIMENSION : 653X84X32mm
WEIGHT(WITHOUT HOSE) : -
REPLACEMENT FOR : -

**Other modifications on request**