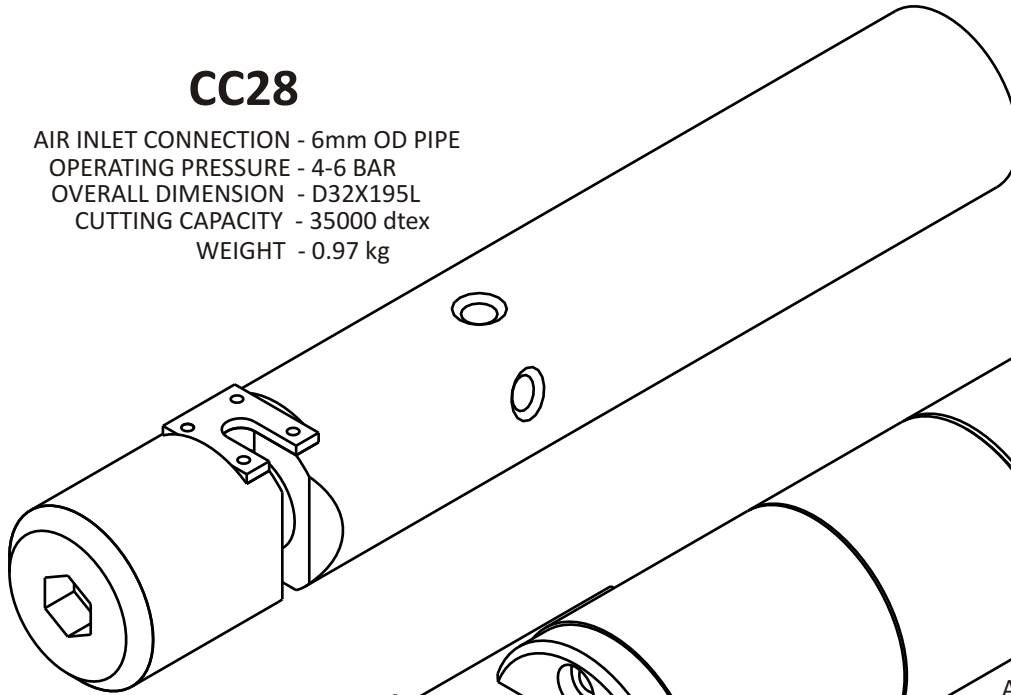


Pneumatic yarn cutting head for cutting yarn made of various fibre materials. The cutting heads are used for cutting fiber strands, yarn and cables. They are primarily used for the automation of production and assembly processes.

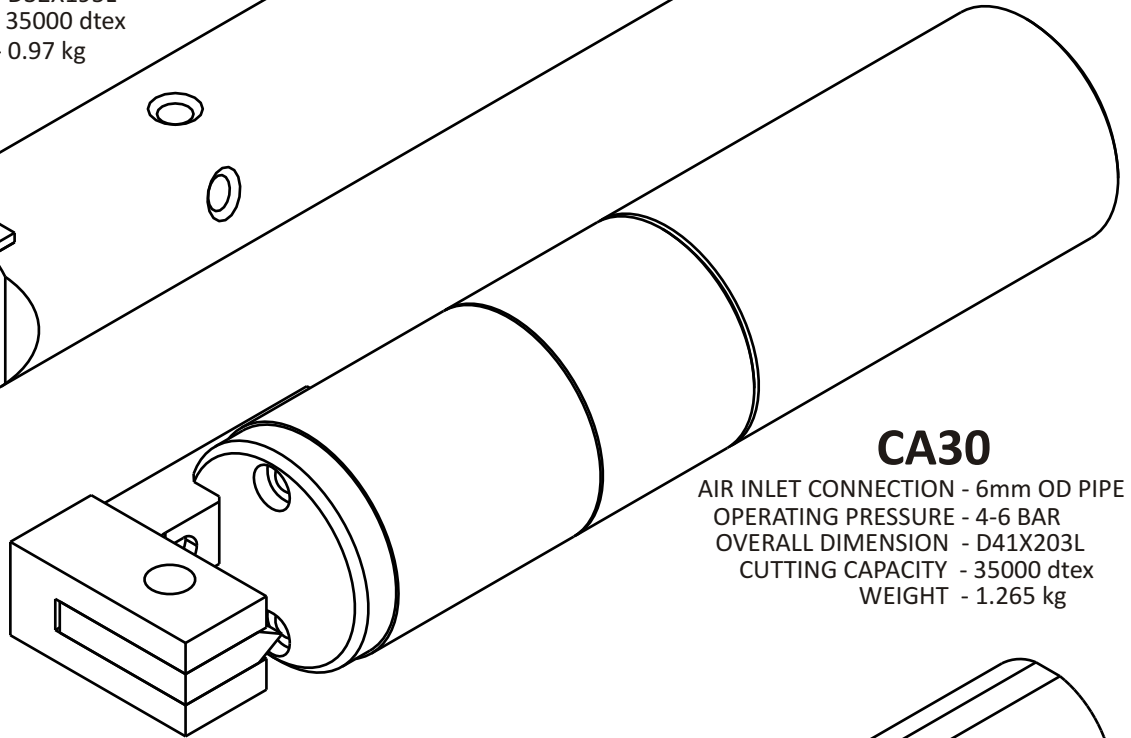
## CC28

AIR INLET CONNECTION - 6mm OD PIPE  
OPERATING PRESSURE - 4-6 BAR  
OVERALL DIMENSION - D32X195L  
CUTTING CAPACITY - 35000 dtex  
WEIGHT - 0.97 kg



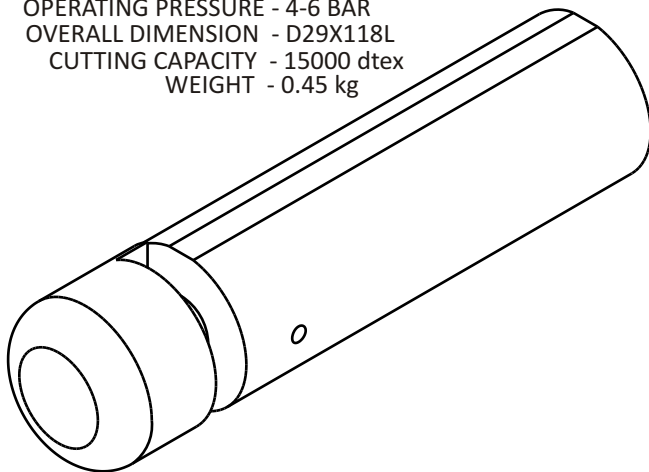
## CA30

AIR INLET CONNECTION - 6mm OD PIPE  
OPERATING PRESSURE - 4-6 BAR  
OVERALL DIMENSION - D41X203L  
CUTTING CAPACITY - 35000 dtex  
WEIGHT - 1.265 kg



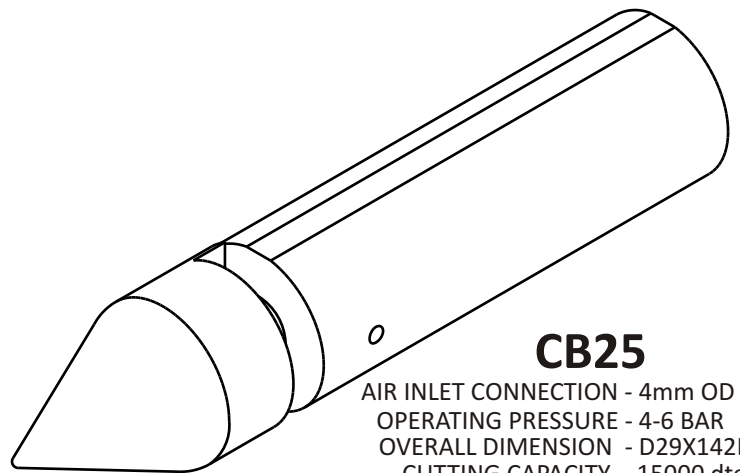
## CA24

AIR INLET CONNECTION - 4mm OD PIPE  
OPERATING PRESSURE - 4-6 BAR  
OVERALL DIMENSION - D29X118L  
CUTTING CAPACITY - 15000 dtex  
WEIGHT - 0.45 kg



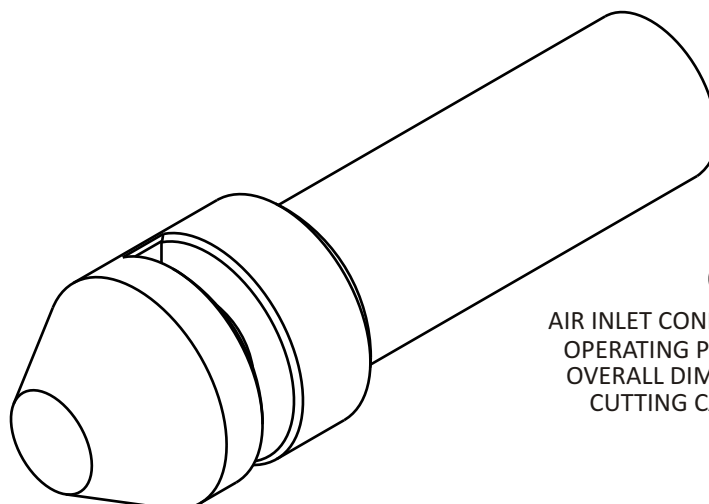
## CB25

AIR INLET CONNECTION - 4mm OD PIPE  
OPERATING PRESSURE - 4-6 BAR  
OVERALL DIMENSION - D29X142L  
CUTTING CAPACITY - 15000 dtex  
WEIGHT - 0.45 kg



## CA25

AIR INLET CONNECTION - 6mm OD PIPE  
OPERATING PRESSURE - 4-6 BAR  
OVERALL DIMENSION - D40X135L  
CUTTING CAPACITY - 15000 dtex  
WEIGHT - 0.60 kg



Other modifications on request