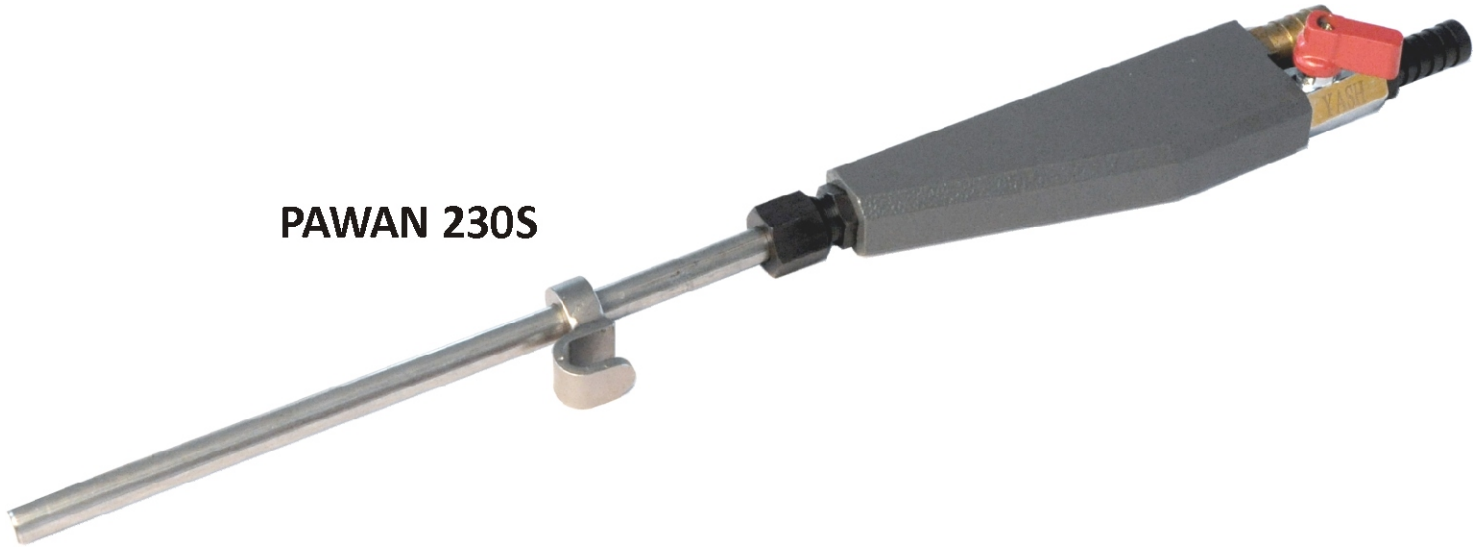


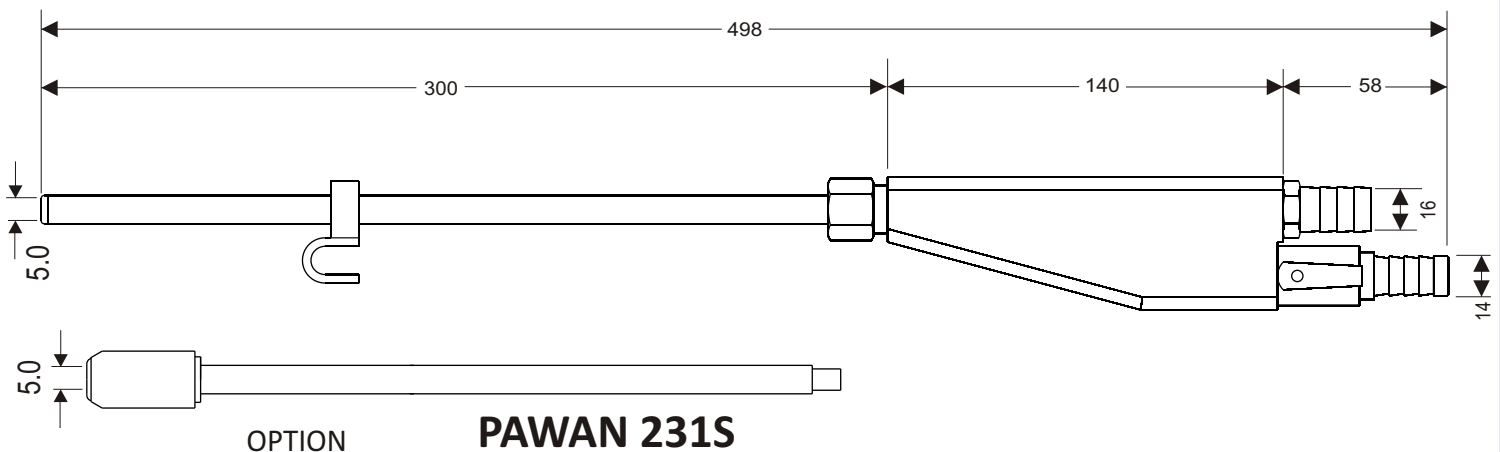
PAWAN S series suction guns are most commonly used in synthetic yarn industry for string-up & doffing on winders & yarn processing machines. They are designed for handling yarn upto 1500 mtr/min.



**PAWAN 230S**

### SPECIFICATIONS

OPERATING PRESSURE :	4-6 BAR (kg/cm <sup>2</sup> )
YARN SPEED RANGE :	upto 1500 mtr/min
TOTAL YARN SIZE :	400 (dtex)
WORKING PRINCIPLE :	TWISTING
AIR SUPPLY CONNECTION :	12 mm ID HOSE
AIR EXHAUST CONNECTION :	15 mm ID HOSE
AIR CONSUMPTION :	9.5(BAR+1) m <sup>3</sup> /hr.
OVERALL DIMENSION :	330X62X32 mm
WEIGHT(WITHOUT HOSE) :	0.60 kg



OPTION

**PAWAN 231S**

Other modifications on request

REPLACEMENT FOR : 100 HE