

PNEUMATIC YARN SPLICER

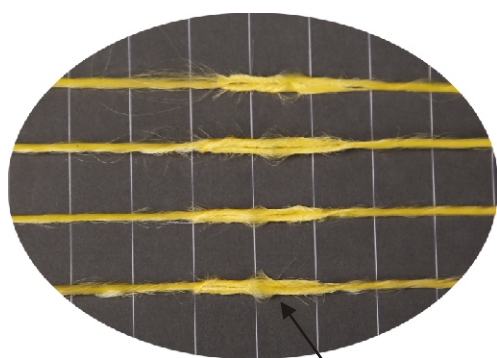
P250

PAWAN Bandh P250 yarn splicers work on compressed air & are used for splicing Industrial synthetic filament yarns. Pawan Bandh is made up of precision machined metallic components assembled in Aluminium body. This automatic splicer works on differential pneumatic logic.

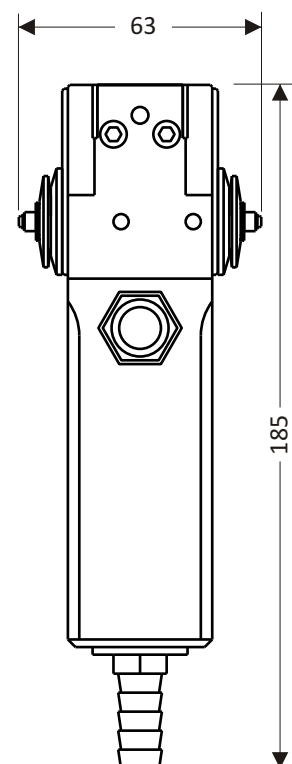
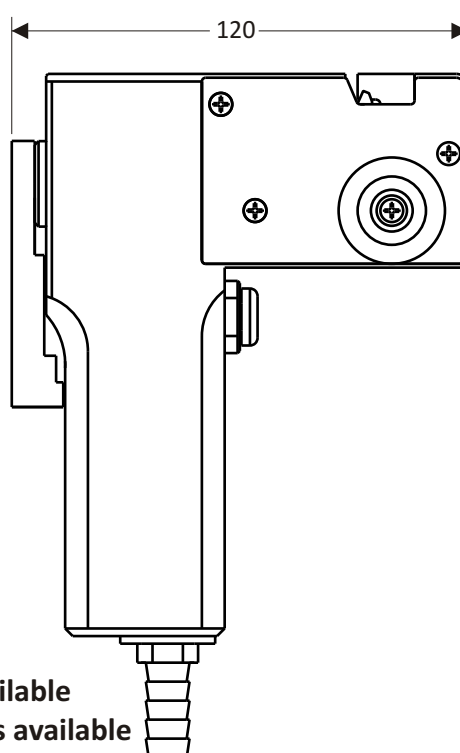


SPECIFICATION

APPLICATION : SYNTHETIC & CELLULOSE
OPERATING PRESSURE : 4-6bar (kg/cm²)
YARN DENIER RANGE : 400-4000(dtex)
MAX PERMISSIBLE TWIST : 150(tmp)
WORKING PRINCIPLE : TWISTING
OVERALL DIMENSION : 185X120X63mm
AIR CONNECTION : 10mm ID HOSE PIPE
WORKING METHOD : AUTOMATIC
WEIGHT : 1.250 gms
CHAMBER : 4 TYP
SPLICE LENGTH : 25mm
SUITABLE FOR : NYLON / POYESTER
 : VISCOSE / GLASS FIBER
 : CARBON FIBER / KEVLAR



SPLICE YARN



- > Operation & Maintenance Training Services available
- > Spare part / Reconditioning / Repairing Services available
- > Other Modification on Request.