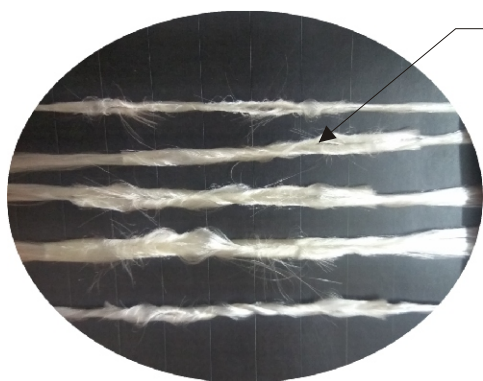


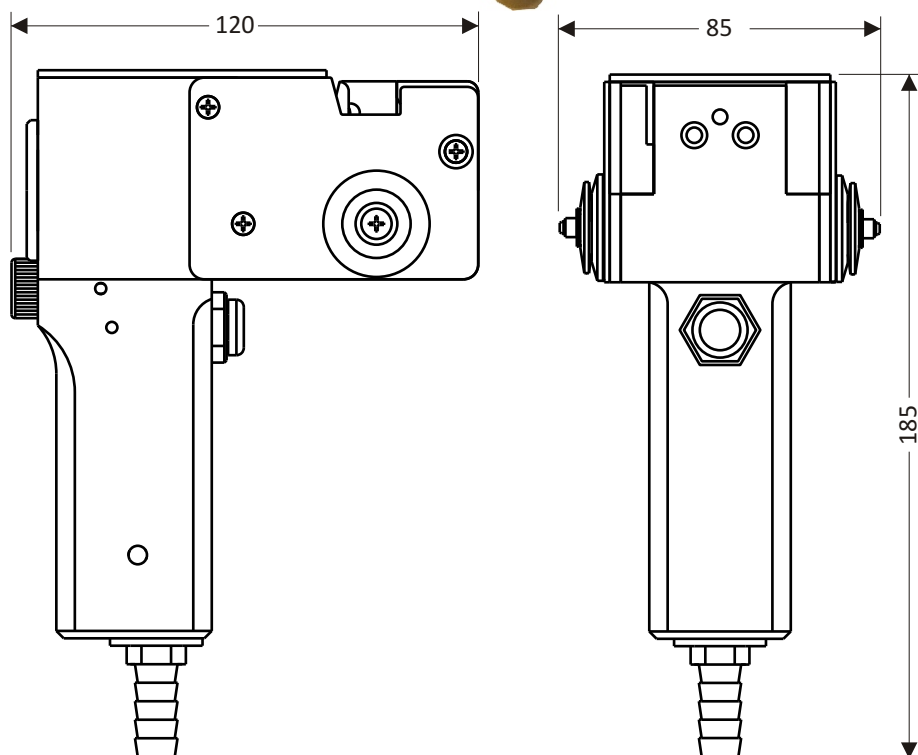
PAWAN Bandh P400 yarn splicers work on compressed air & are used for aramid yarns in anti-ballistic weaves, for the manufacture of cabled yarns and cords, glass fiber and many other difficult applications. Pawan Bandh is made up of precision machined metallic components assembled in Aluminium body. This automatic splicer works on differential pneumatic logic.



Glass Fiber Splice Yarn
up to 400 to 2400 dtex

SPECIFICATION

APPLICATION : EXTRA LONG SPLICING
OPERATING PRESSURE : 4-6bar (kg/cm²)
YARN DENIER RANGE : 400-2400 (dtex)
MAX PERMISSIBLE TWIST : (tmp)
WORKING PRINCIPLE : TWISTING
OVERALL DIMENSION : 185X120X85 mm
AIR CONNECTION : 10mm ID HOSE PIPE
WORKING METHOD : AUTOMATIC
WEIGHT : 1.7 kg
SPLICE LENGTH : 40.0 mm
SUITABLE FOR : NYLON / POYESTER
: VISCOSE / GLASS FIBER
: CARBON FIBER / KEVLAR



- > Operation & Maintenance Training Services available
- > Spare part / Reconditioning / Repairing Services available
- > Other Modification on Request.