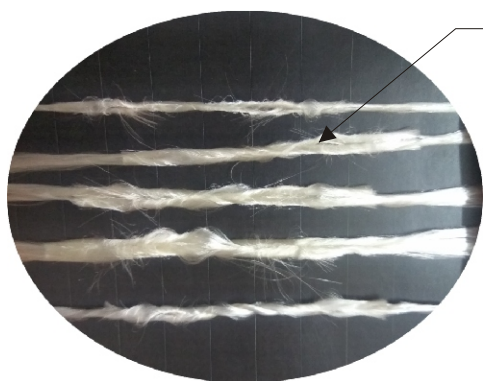


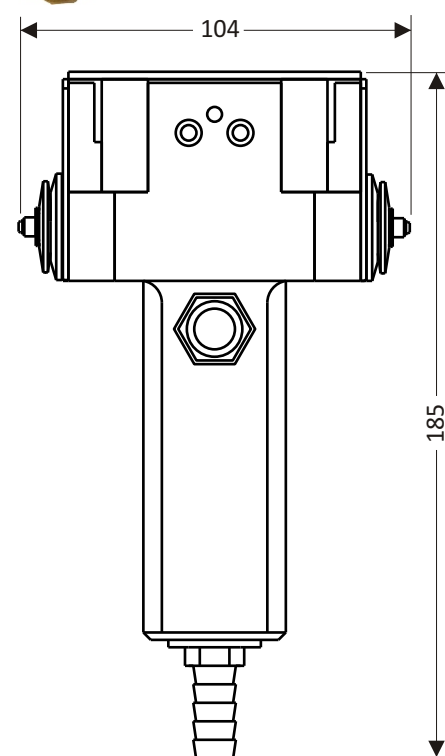
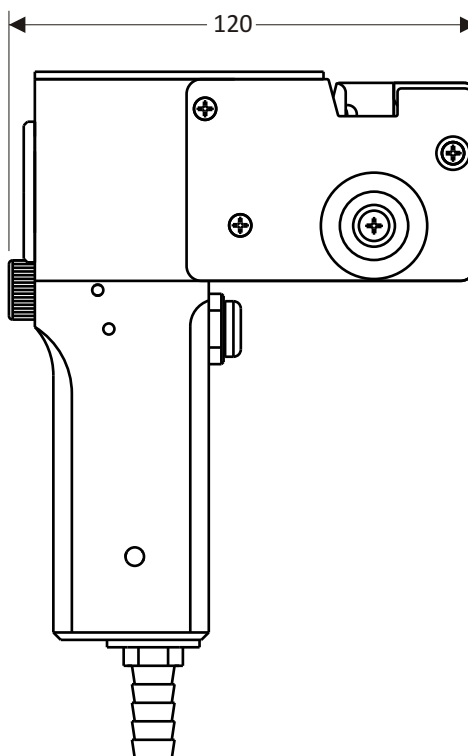
**PAWAN Bandh P700** yarn splicers work on compressed air & are used for aramid yarns in anti-ballistic weaves, for the manufacture of cabled yarns and cords, glass fiber and many other difficult applications. Pawan Bandh is made up of precision machined metallic components assembled in Aluminium body. This automatic splicer works on differential pneumatic logic.



Glass Fiber Splice Yarn  
up to 420 to 8400 dtex

## SPECIFICATION

APPLICATION : EXTRA LONG SPLICING  
OPERATING PRESSURE : 4-6bar (kg/cm<sup>2</sup>)  
YARN DENIER RANGE : 420-8400(dtex)  
MAX PERMISSIBLE TWIST : (tmp)  
WORKING PRINCIPLE : TWISTING  
OVERALL DIMENSION : 185X120X104mm  
AIR CONNECTION : 10mm ID HOSE PIPE  
WORKING METHOD : AUTOMATIC  
WEIGHT : 2.000 gms  
SPLICE LENGTH : 70.0mm  
SUITABLE FOR : NYLON / POYESTER  
: VISCOSE / GLASS FIBER  
: CARBON FIBER / KEVLAR



- > Operation & Maintenance Training Services available
- > Spare part / Reconditioning / Repairing Services available
- > Other Modification on Request.