

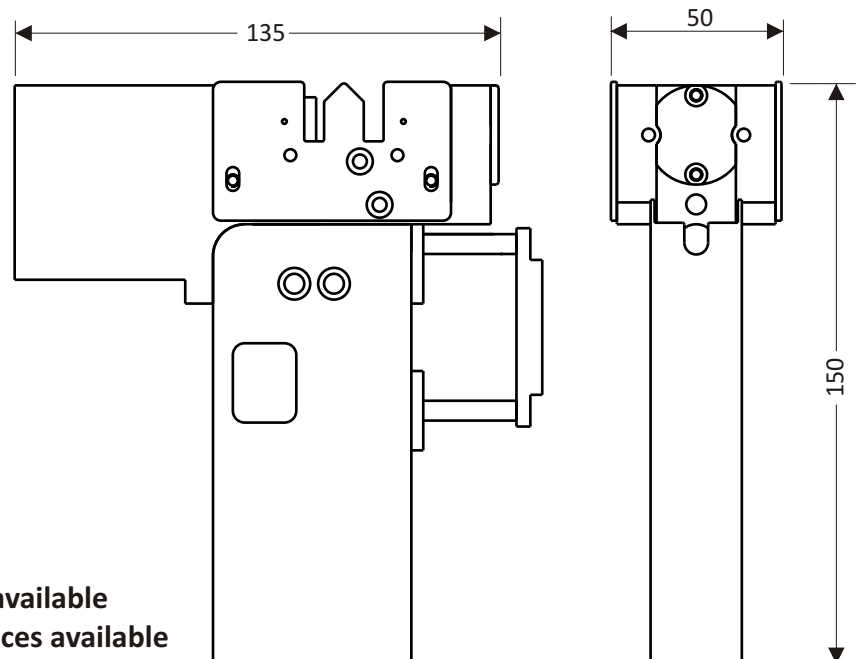
**PAWAN Bandh P312** is automatic Splicer specially designed for yarns difficult to splice by normal splicer like high bulk carpet ply yarns.



SPLICE YARN

## SPECIFICATION

APPLICATION : HIGH BULK CARPET YARN  
OPERATING PRESSURE : 4-6bar (kg/cm<sup>2</sup>)  
YARN DENIER RANGE : 500-10000(dtex)  
MAX PERMISSIBLE TWIST : 400(tmp)  
WORKING PRINCIPLE : TWISTING  
OVERALL DIMENSION : 150X135X50mm  
AIR CONNECTION : 8mmOD PLASTIC PIPE  
WORKING METHOD : AUTOMATIC  
WEIGHT : 600 gms  
SPLICE LENGTH : 31mm  
SUITABLE FOR : NYLON / POYESTER



- > Operation & Maintenance Training Services available
- > Spare part / Reconditioning / Repairing Services available
- > Other Modification on Request.