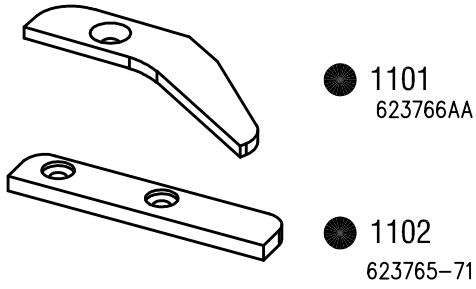


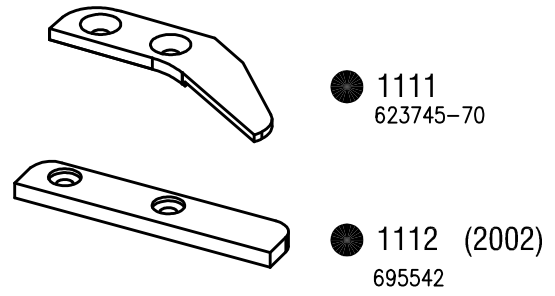
FOR TSUDAKOMA WATER JET

W03

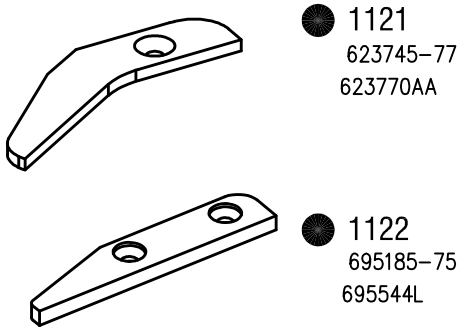
1100 - ZW (WEFT)



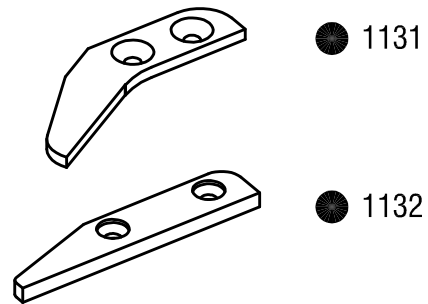
1110 - ZW (WEFT)



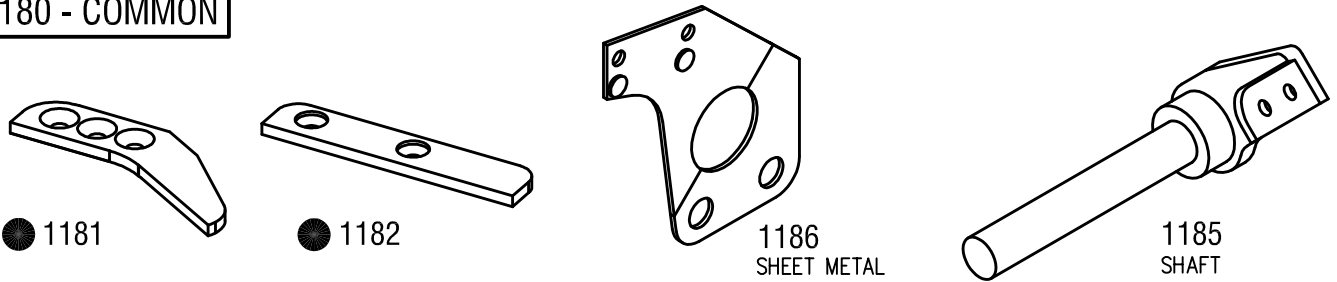
1120 - ZW (WEFT)



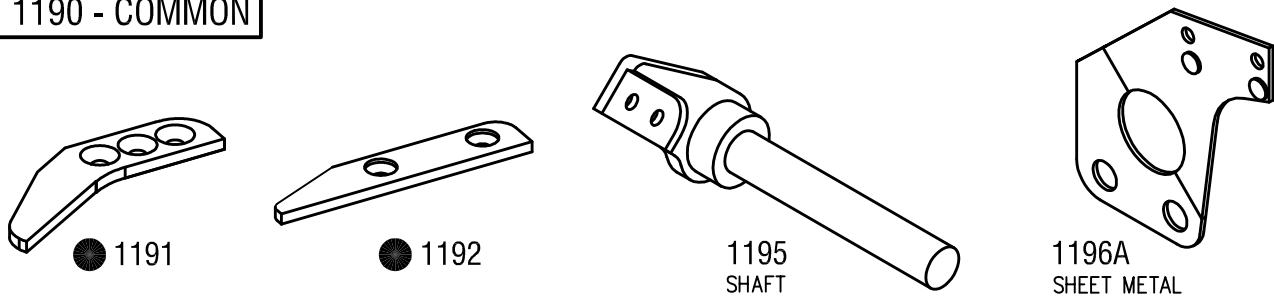
1130 - ZW (WEFT)



1180 - COMMON



1190 - COMMON



MATERIAL CODE : ● SOLID CARBIDE , ○ HSS , ◐ BRAZED CARBIDE , ⊙ TIN COATED