

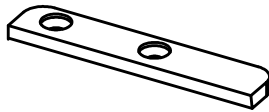
FOR TSUDAKOMA AIR JET

W04

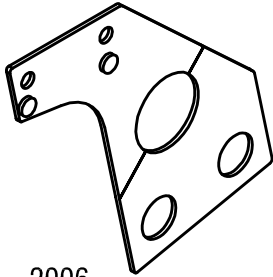
2000 - ZA , ZAX (WEFT)



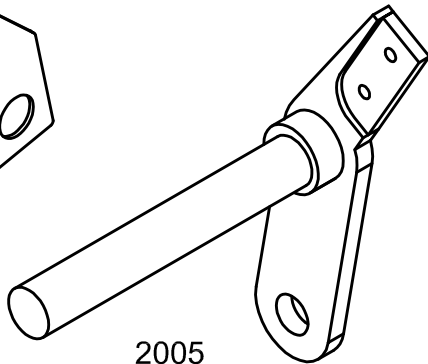
● 2001
624247-71



● 2002
624154-72

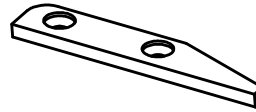


2006
SHEET METAL



2005
SHAFT

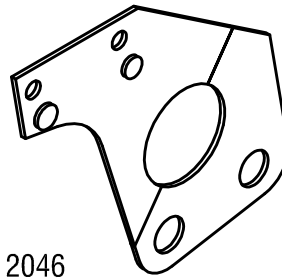
2040 - ZA , ZAX (WEFT)



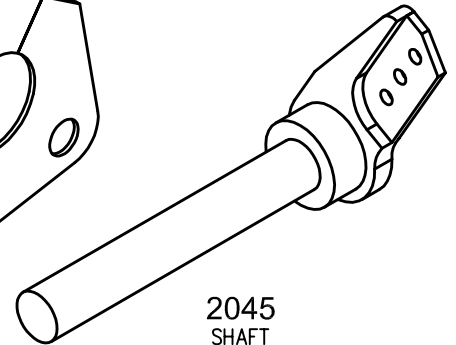
● 2042
624154-70
624604-77A
624604-74



● 2041
624871-73A
624604-71
624871-70

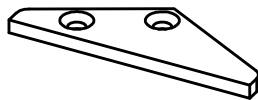


2046
SHEET METAL



2045
SHAFT

2020 - (WEFT)



● 2021

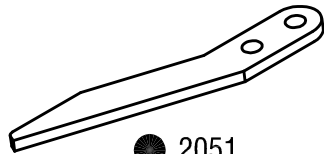


● 2022

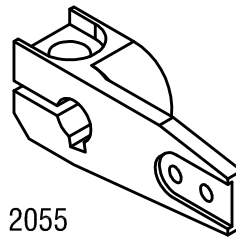
2050 - ZAX (MOTORIZED WEFT)



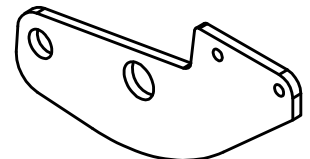
● 2052
634865-68
624871-73
934953-75



● 2051
634956-76

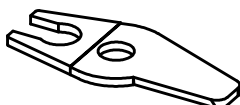


2055
634865-78
SHAFT



2056
634956-76
SHEET METAL

2030 - ZA (TUCK IN SELVEDGE)



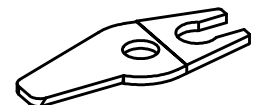
● 2032 R



● 2031 R



● 2031 L



● 2032 L

MATERIAL CODE : ● SOLID CARBIDE , ○ HSS , ◐ BRAZED CARBIDE , ⊙ TIN COATED