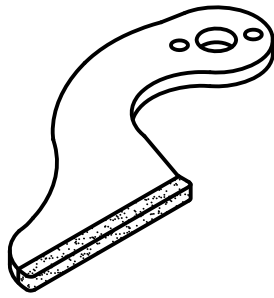
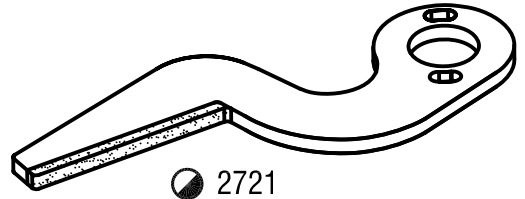


2720 - (WEFT)

● 2722

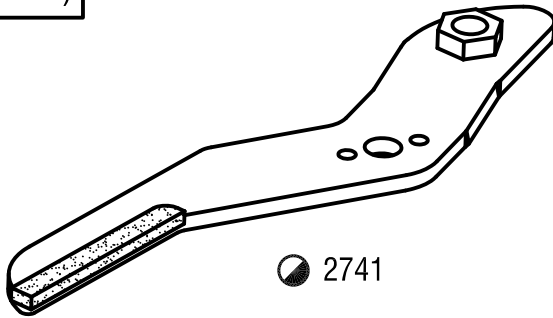


● 2721

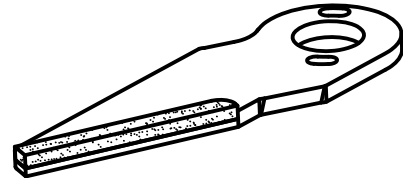


2740 - (WEFT)

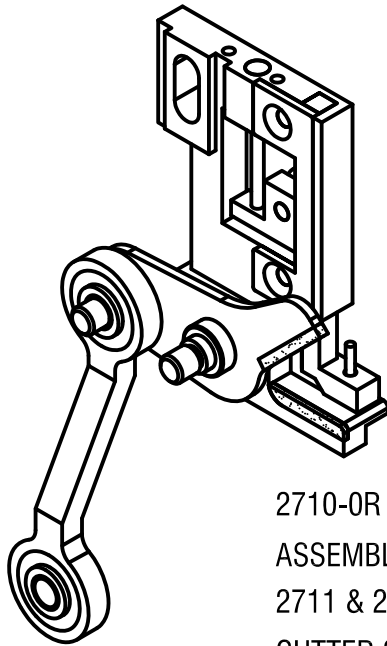
● 2741



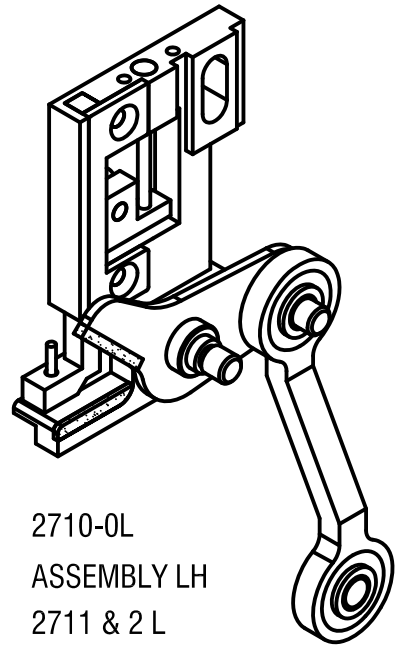
● 2742



2710 - (TUCK IN SELVEDGE)



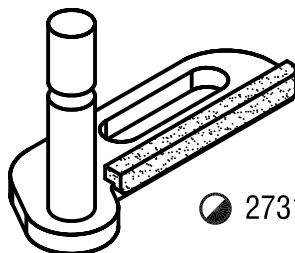
2710-OR
ASSEMBLY RH
2711 & 2 R
CUTTER SET RH



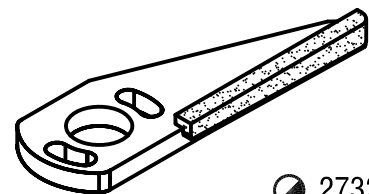
2710-OL
ASSEMBLY LH
2711 & 2 L
CUTTER SET LH

2730 - (SELVEDGE)

● 2731



● 2732



MATERIAL CODE : ● SOLID CARBIDE , ○ HSS , ◐ BRAZED CARBIDE , ⊙ TIN COATED