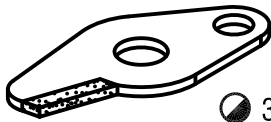


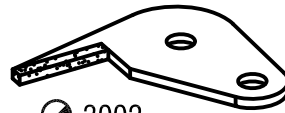
FOR PICANOL RAPIER

W13

3000 - PGW (TUCK IN SELVEDGE)

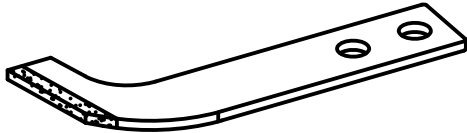


● 3001
B 71751

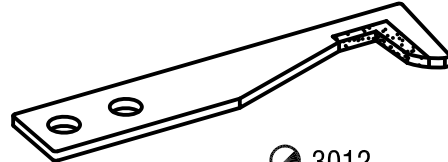


● 3002
B 71752

3010 - PGW (WEFT)

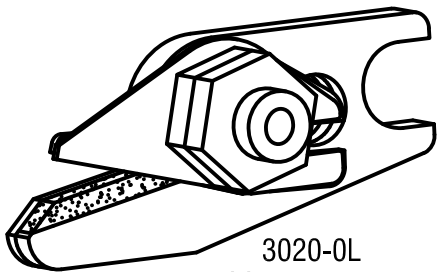


● 3011
B 71629

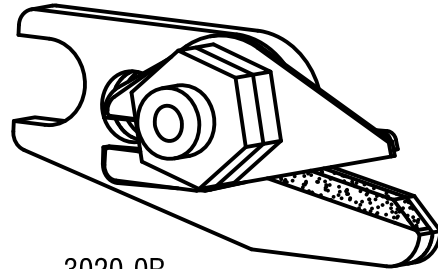


● 3012
B 71628

3020 - MA1 (FRINGE SELVEDGE RH & LH)

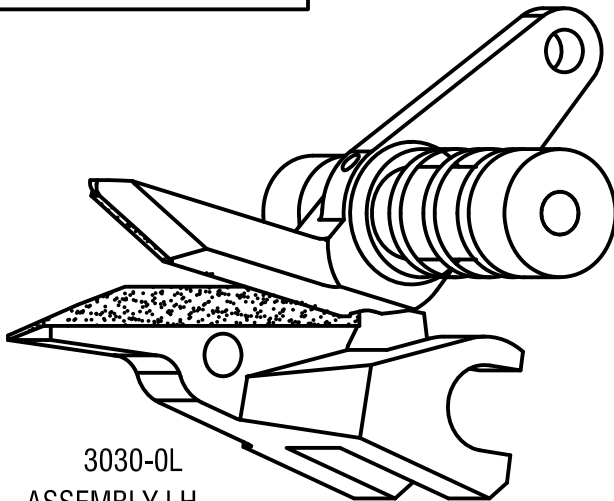


3020-0L
ASSEMBLY LH



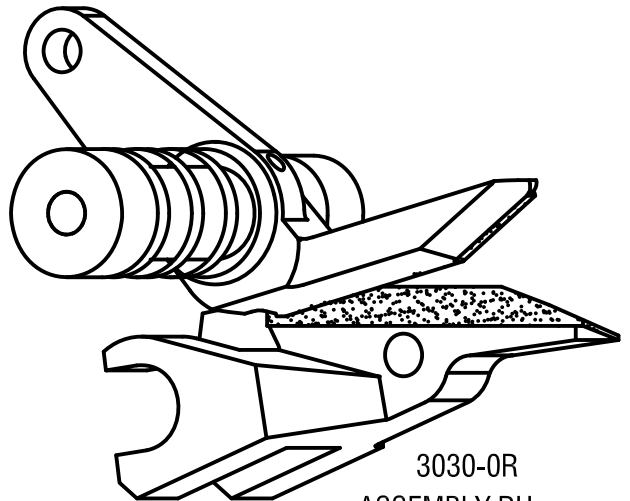
3020-0R
ASSEMBLY RH

3030 - PGW (SELVEDGE)



3030-0L
ASSEMBLY LH
BE 72217

BE 72215 + BE 72216

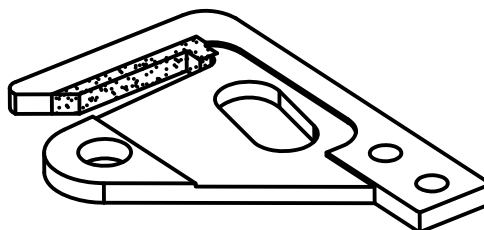


3030-0R
ASSEMBLY RH
BE 72218

BE 71648 + BE 71649

3090 - PGW

● 3091



MATERIAL CODE : ● SOLID CARBIDE , ○ HSS , ◐ BRAZED CARBIDE , ⊙ TIN COATED