

# FOR PICANOL RAPIER

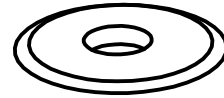
W15

## 6010 - ( OPTIMAX ROTARY WEFT )

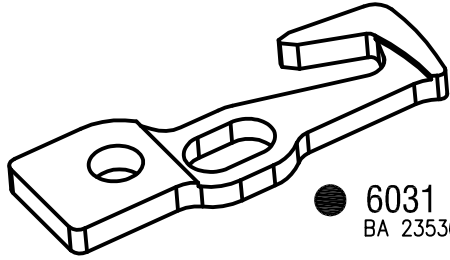
● 6011  
BA 232671  
24° SHARP



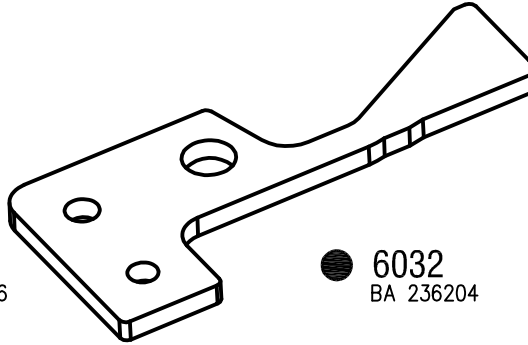
● 6012  
30° SHARP



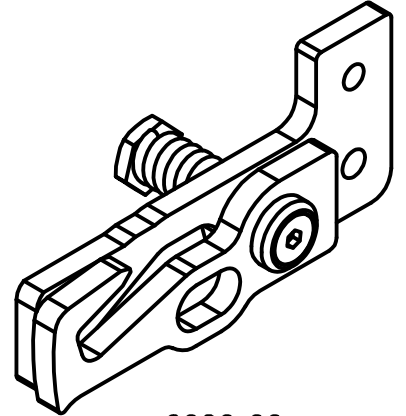
## 6030 - OPTIMAX WEFT



● 6031  
BA 235366

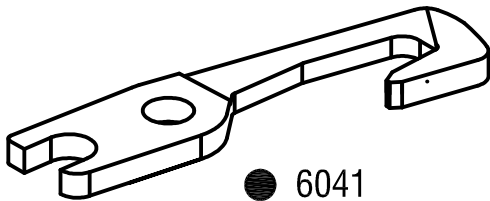


● 6032  
BA 236204

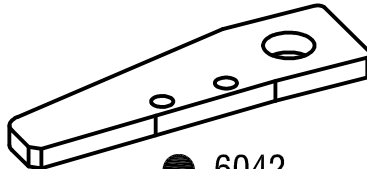


6030-00  
ASSEMBLY

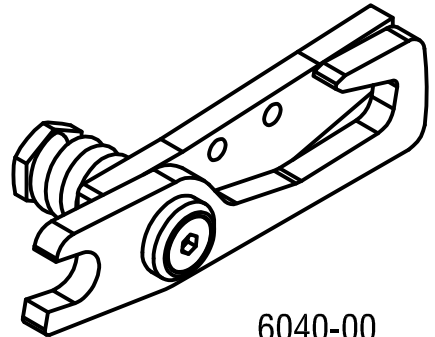
## 6040 - ( WEFT ) GAMA 98



● 6041  
BA 209047

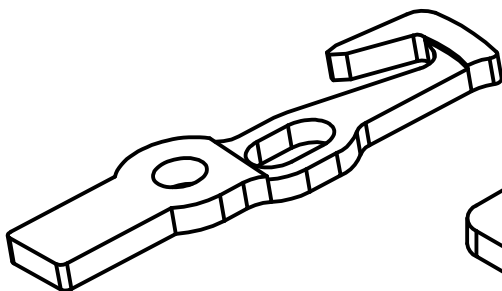


● 6042  
BA 207817

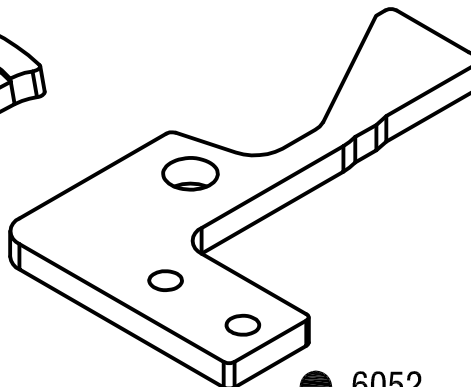


6040-00  
ASSEMBLY

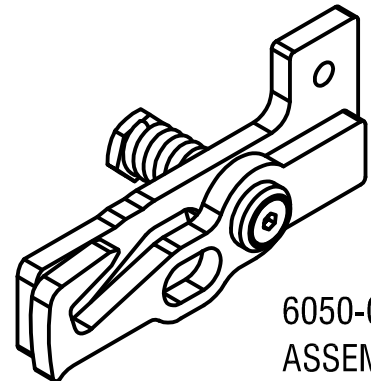
## 6050 - OPTIMAX WEFT



● 6051  
BA299648



● 6052  
BA239469



6050-00  
ASSEMBLY

6040/6020

MATERIAL CODE : ● SOLID CARBIDE , ○ HSS , ◐ BRAZED CARBIDE , ⊙ TIN COATED