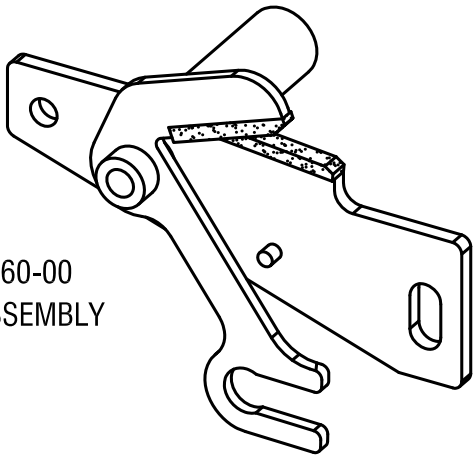
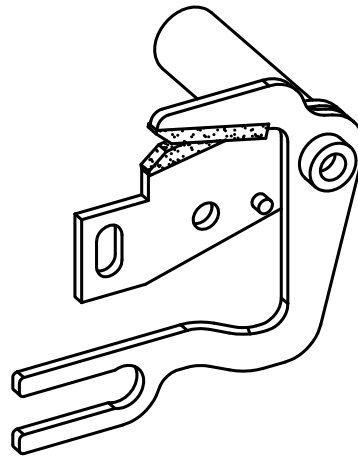


3460-00
ASSEMBLY

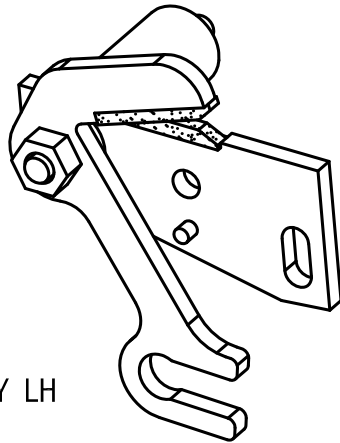


3470-00
ASSEMBLY

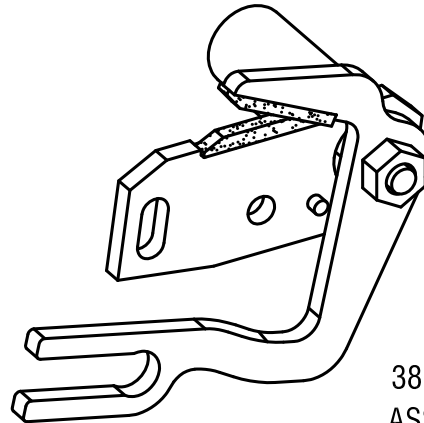


3460 & 3470 - F2001 (SELVEDGE)

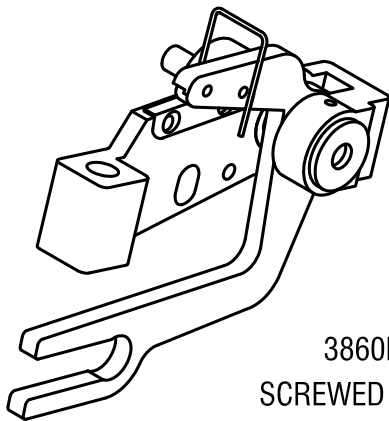
3820-00
ASSEMBLY LH



3810-00
ASSEMBLY RH



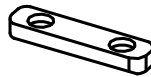
3810 & 3820 - G6100 (SELVEDGE)



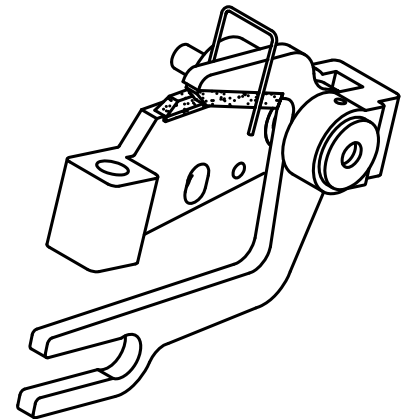
3860B - 00
SCREWED BLADE TYPE

● 3861&2
SET OF CUTTER
626.906.000 &
917.675.027

● 3863B
(2013)



3860A- 00
ASSEMBLY



3860 - G6200 (SELVEDGE)

6470-00
ASSEMBLY SIMILAR TO 3860 WITH SCREWED CUTTER (3251)

6470 - (SELVEDGE)

MATERIAL CODE : ● SOLID CARBIDE , ○ HSS , ◐ BRAZED CARBIDE , ⊙ TIN COATED