

3850 - G6300 (SELVEDGE LH & RH)

● 3851&2L

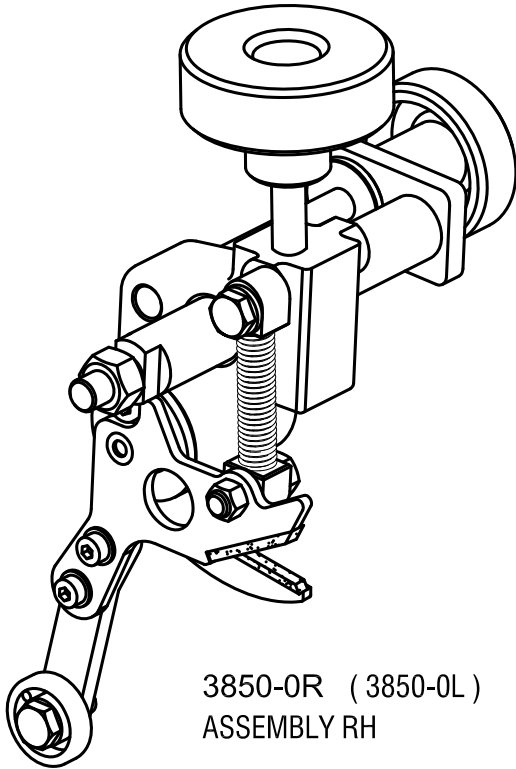
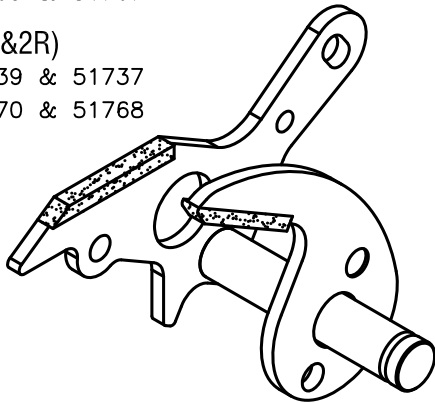
PNO 51740 & 51738

PQO 51769 & 51767

● (3851&2R)

PNO 51739 & 51737

PQO 51770 & 51768



3850-OR (3850-OL)
ASSEMBLY RH

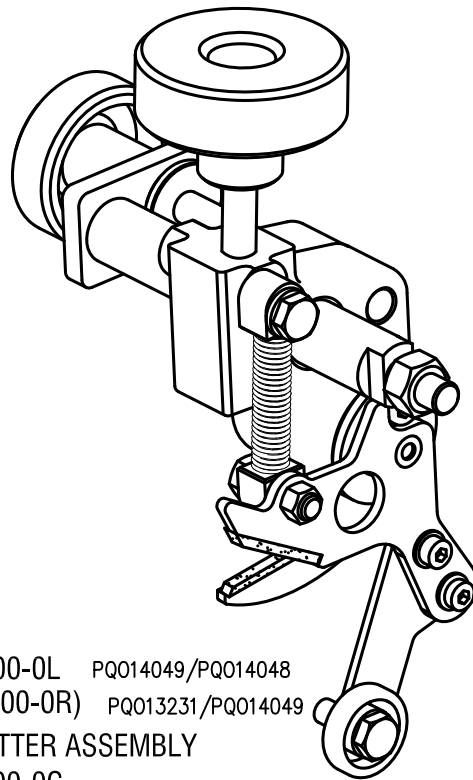
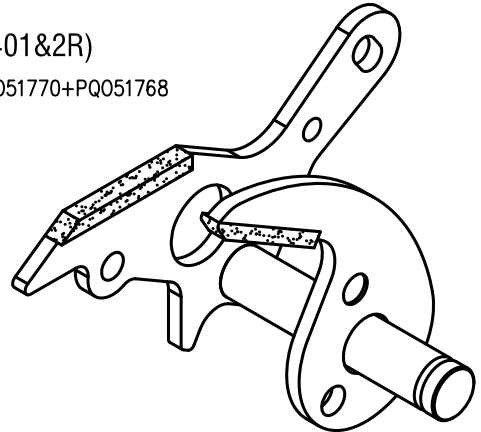
6400 - SMIT GS920F (SELVEDGE) 11.2007

● 6401&2L

PQO51767+PQO51769

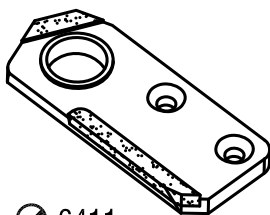
● (6401&2R)

PQO51770+PQO51768

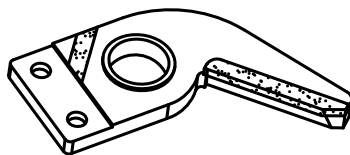


6400-OL PQO14049/PQO14048
(6400-OR) PQO13231/PQO14049
CUTTER ASSEMBLY
6400-OC

6410 - SMIT GS920F / GS9200 (SELVEDGE)



● 6411



● 6412

6410-OR

PQO148700002

6410-OL

PQO148710001

CUTTER ASSEMBLY
WITHOUT MOTOR

MATERIAL CODE : ● SOLID CARBIDE , ○ HSS , ● BRAZED CARBIDE , ○ TIN COATED