

4020 - (LENO SELVEDGE RH & LH)

HEALD FRAME DRIVEN

4020-0R
ASSEMBLY RH
(4020-0L)

4020-00R (4020 - 00L)
ASSEMBLY WITH HEALD FRAME
DRIVE PARTS RH

4021R+4022R
ASSEMBLY RH
(911838096)-912.538.027 SU

(4021L+4022L)
ASSEMBLY LH
(911838095)-912.538.028 FA

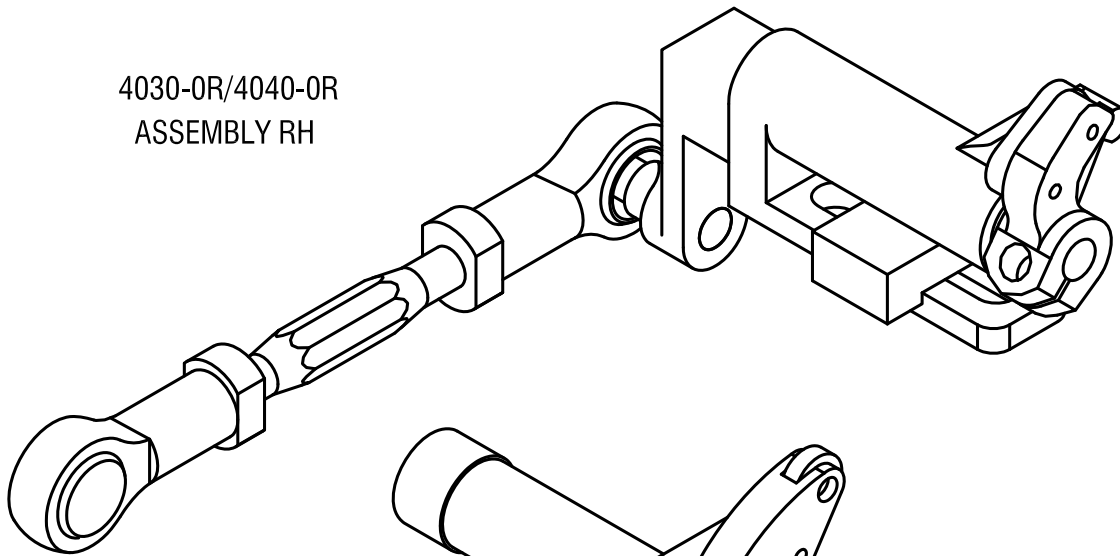
(4021R+4022R)
ASSEMBLY RH

4030 / 4040 / 4050 - (LENO SELVEDGE RH & LH)

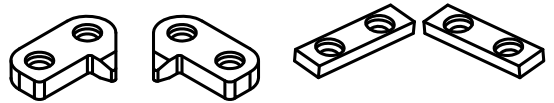
4030-0R/4040-0R
ASSEMBLY RH



- 4032
- 4042
- 4052



4050-0R
911.838.024



- 4031 R&L
- 4041
- 4051

MATERIAL CODE : ● SOLID CARBIDE , ○ HSS , ◐ BRAZED CARBIDE , ⊙ TIN COATED