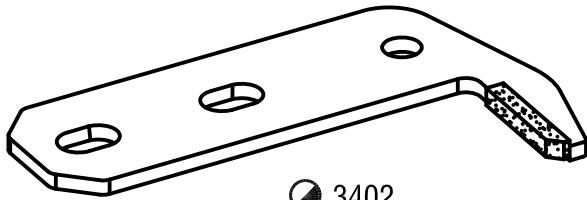


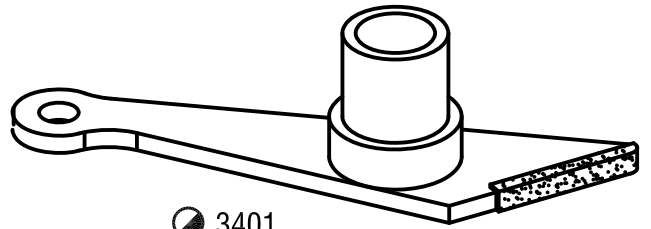
FOR RUTI RAPIER

W37

3400 - F2000 (SELVEDGE)

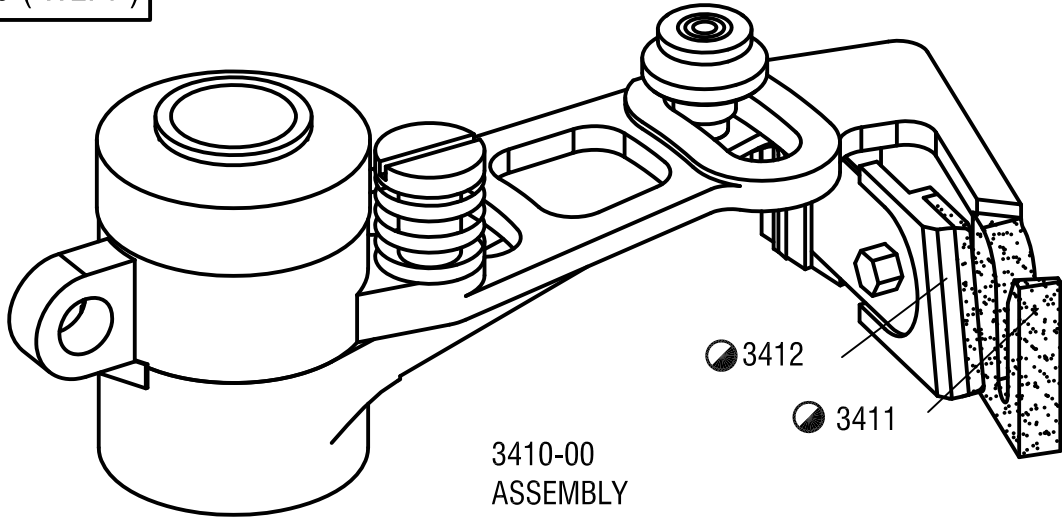


● 3402



● 3401

3410 - F2000 (WEFT)



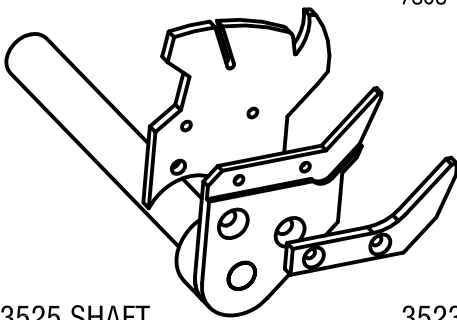
3410-00
ASSEMBLY

● 3412

● 3411

FOR TSUDAKOMA RAPIER

3520 - TAV (WEFT)

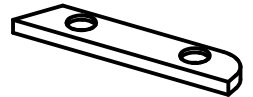


3525 SHAFT
(3925)

● 3521
7868

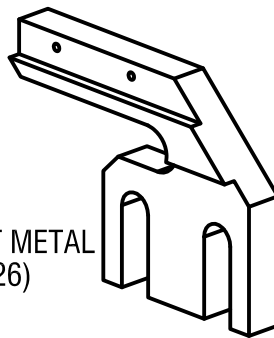


● 3522
929

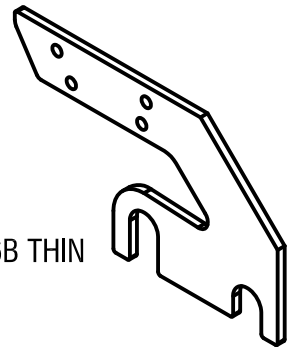


3523
(3921)

3526A SHEET METAL
(3926)

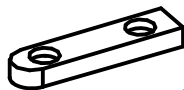


3526B THIN

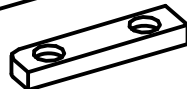


3530 - TAV (SELVEDGE RH & LH)

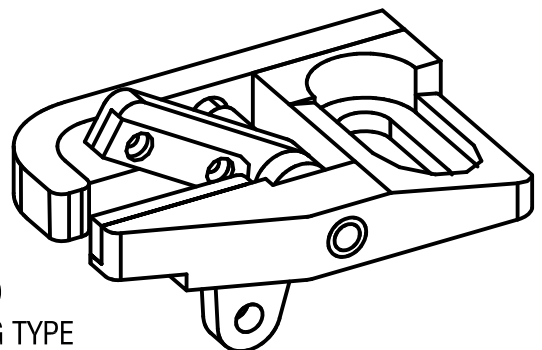
● 3531 R



● 3532 R



3530-OR
(3530-OL)
ASSEMBLY BEARING TYPE



MATERIAL CODE : ● SOLID CARBIDE , ○ HSS , ◐ BRAZED CARBIDE , ⊙ TIN COATED