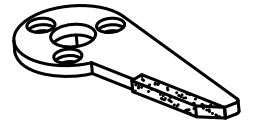
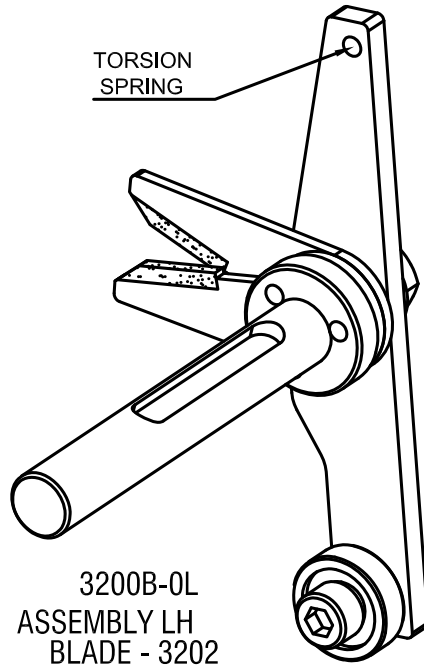
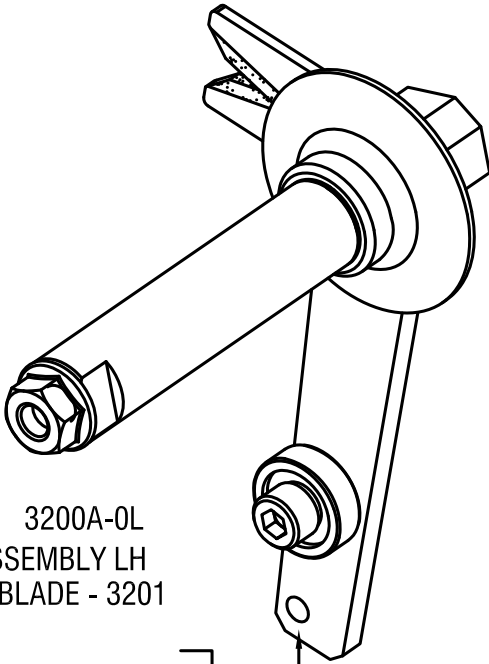
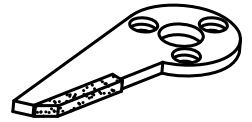


3200 - (SELVEDGE RH & LH)



● 3201
500154
1253



● 3202
500153
1250

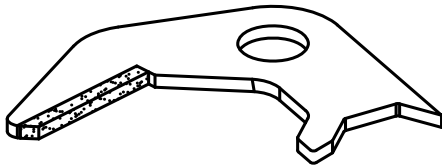
[3200A-OR
ASSEMBLY RH
BLADE - 3202]

TORSION
SPRING

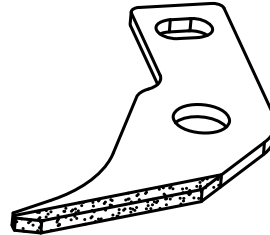
[3200B-OR
ASSEMBLY RH
BLADE - 3201]

3210 - PALANCHE 700 (WEFT)

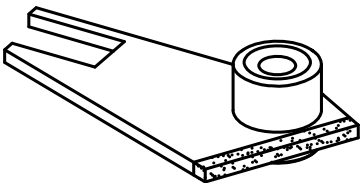
● 3212
501452
5311



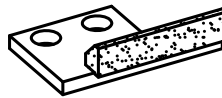
● 3211
501454
5299



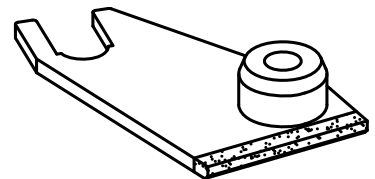
3220 - (WEFT)



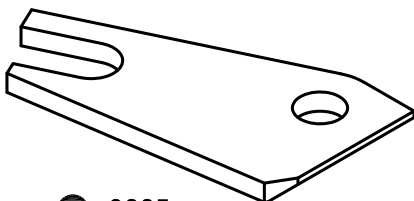
● 3221A NEEDLE BEARING
● 3221B BUSH BEARING
845107 5845107
1320



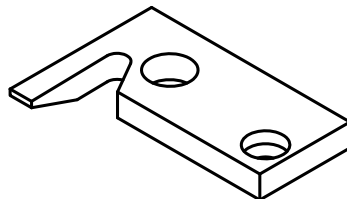
● 3222
846734
1315
5842732



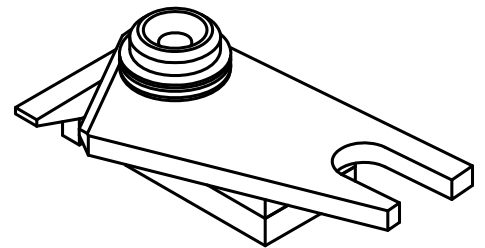
● 3223A NEEDLE BEARING
● 3223B BUSH BEARING
846732



● 3225



● 3226



3220-00 ASSEMBLY

MATERIAL CODE : ● SOLID CARBIDE , ○ HSS , ◐ BRAZED CARBIDE , ⊙ TIN COATED