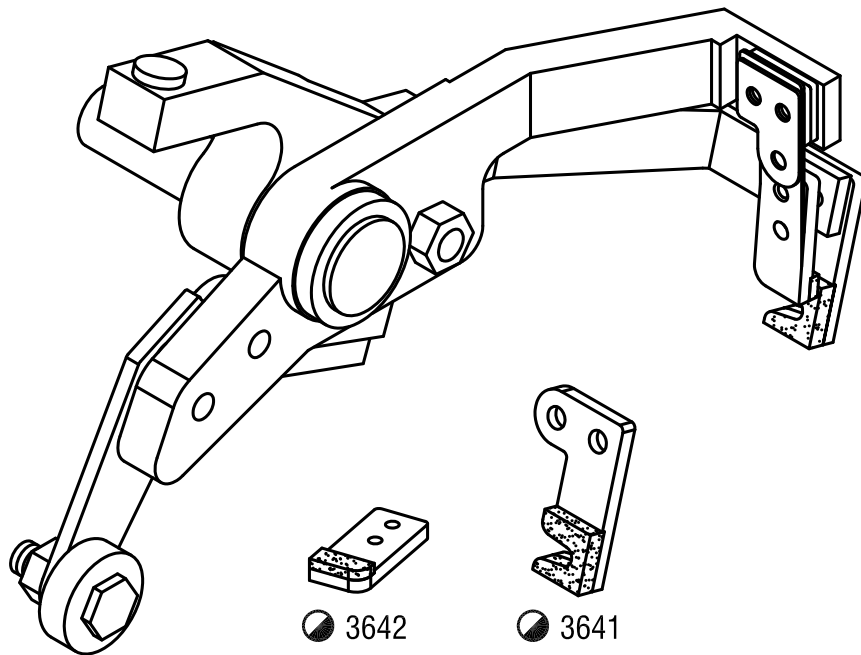


# FOR ISHIKAWA / HANJIN RAPIER

W41

## 3640 - ( WEFT )

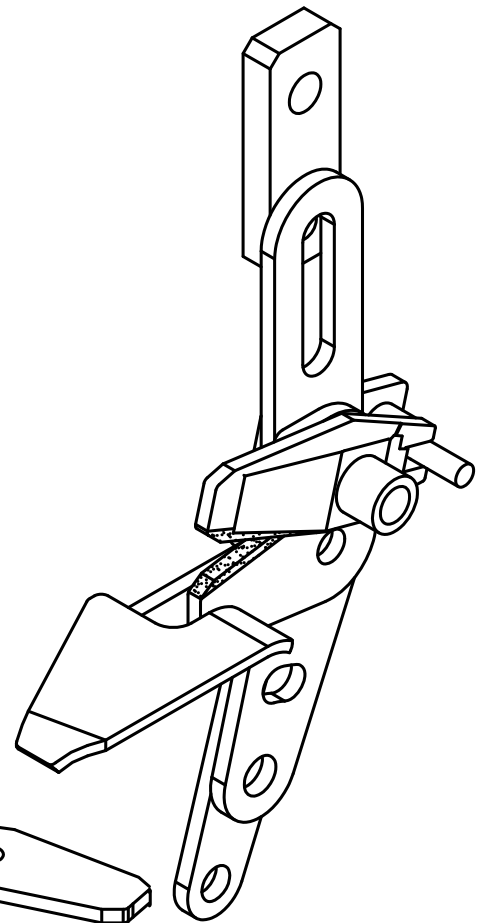


3640-00

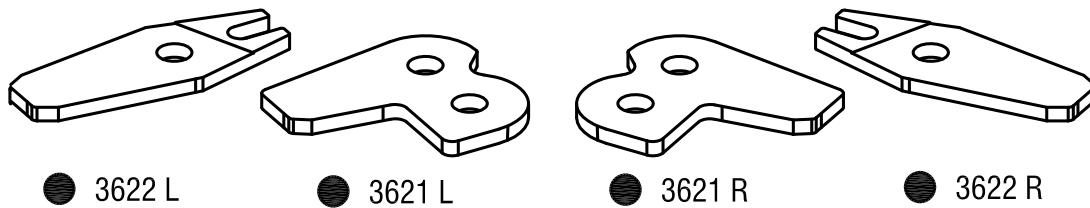
● 3642

● 3641

## 3620-0R ASSEMBLY RH ( 3620-0L ASSEMBLY LH )



## 3620 - ( SELVEDGE RH & LH )



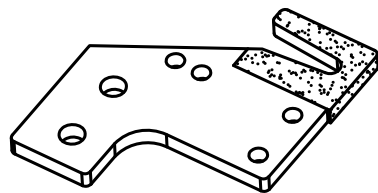
● 3622 L

● 3621 L

● 3621 R

● 3622 R

## 3630 - ( WEFT )

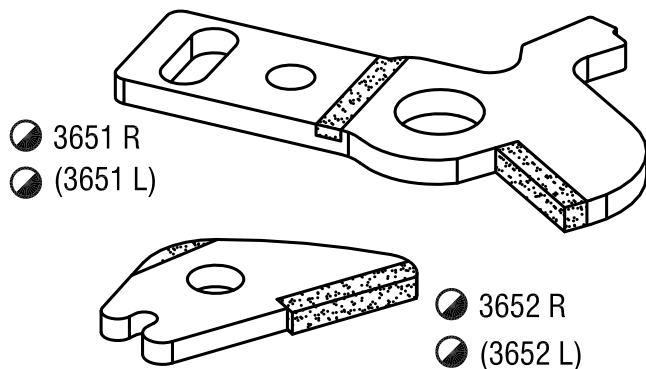


● 3631

● 3632

# FOR SUNGLEE RAPIER

## 3650 - ( SELVEDGE RH & LH )



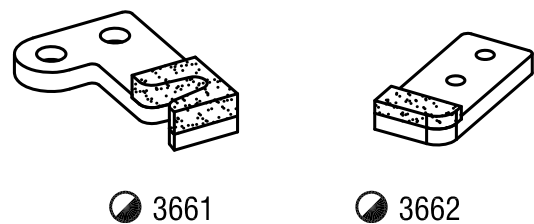
● 3651 R

● (3651 L)

● 3652 R

● (3652 L)

## 3660 - ( WEFT )



● 3661

● 3662

MATERIAL CODE : ● SOLID CARBIDE , ○ HSS , ◐ BRAZED CARBIDE , ⊙ TIN COATED