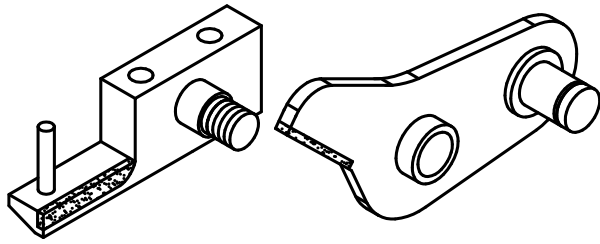


FOR SACM / SAMT RAPIER

W42

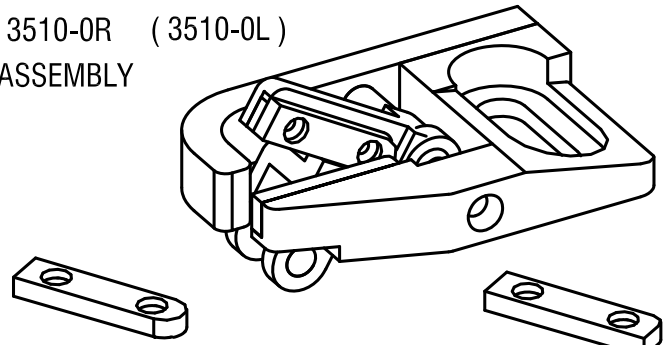
3500 - (TUCK IN SELVEDGE RH & LH)



● 3501 & 2 R
(3501 & 2 L)

3510 - (SELVEDGE RH & LH)

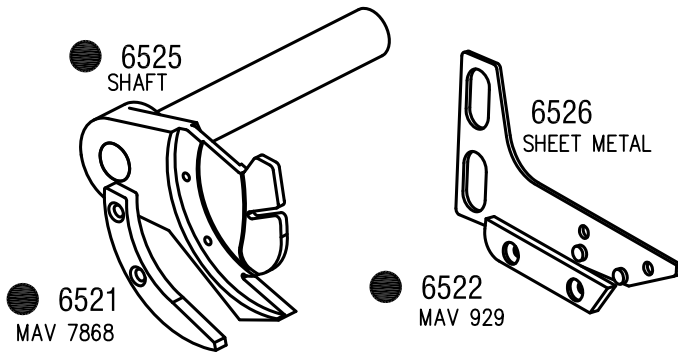
3510-0R (3510-0L)
ASSEMBLY



● 3531R/L

● 3532R/L

6520 - SAMT / MAV (WEFT)



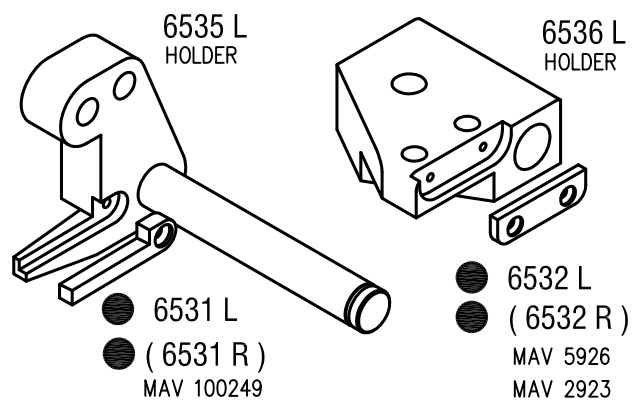
● 6525
SHAFT

6526
SHEET METAL

● 6521
MAV 7868

● 6522
MAV 929

6530 - SAMT MAV (SELVEDGE)



6535 L
HOLDER

6536 L
HOLDER

● 6531 L
● (6531 R)
MAV 100249

● 6532 L
● (6532 R)
MAV 5926
MAV 2923

6590 - (WEFT)

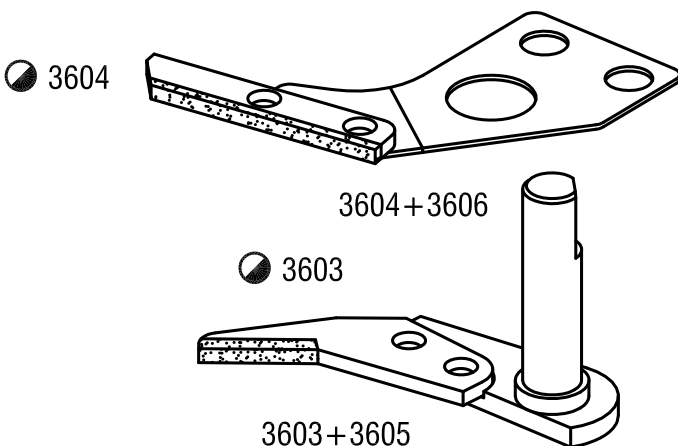


● 6591

● 6592

FOR KUKJEE RAPIER

3600 - (WEFT)



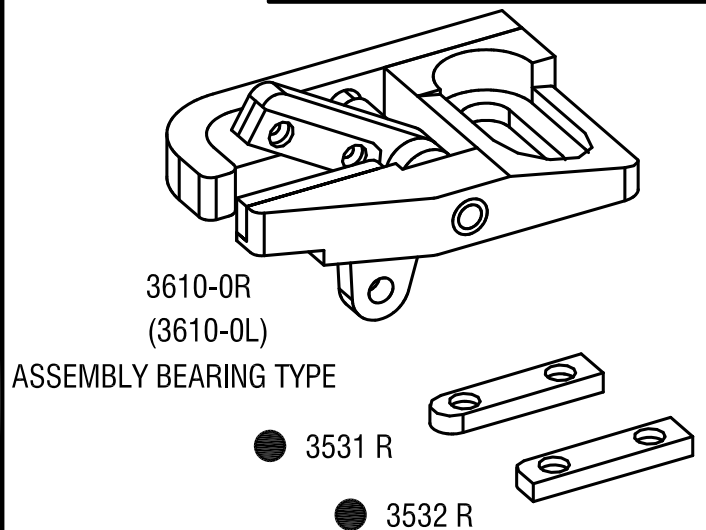
● 3604

3604+3606

● 3603

3603+3605

3610 - (SELVEDGE RH & LH)



3610-0R
(3610-0L)

ASSEMBLY BEARING TYPE

● 3531 R

● 3532 R

MATERIAL CODE : ● SOLID CARBIDE , ○ HSS , ◐ BRAZED CARBIDE , ⊙ TIN COATED