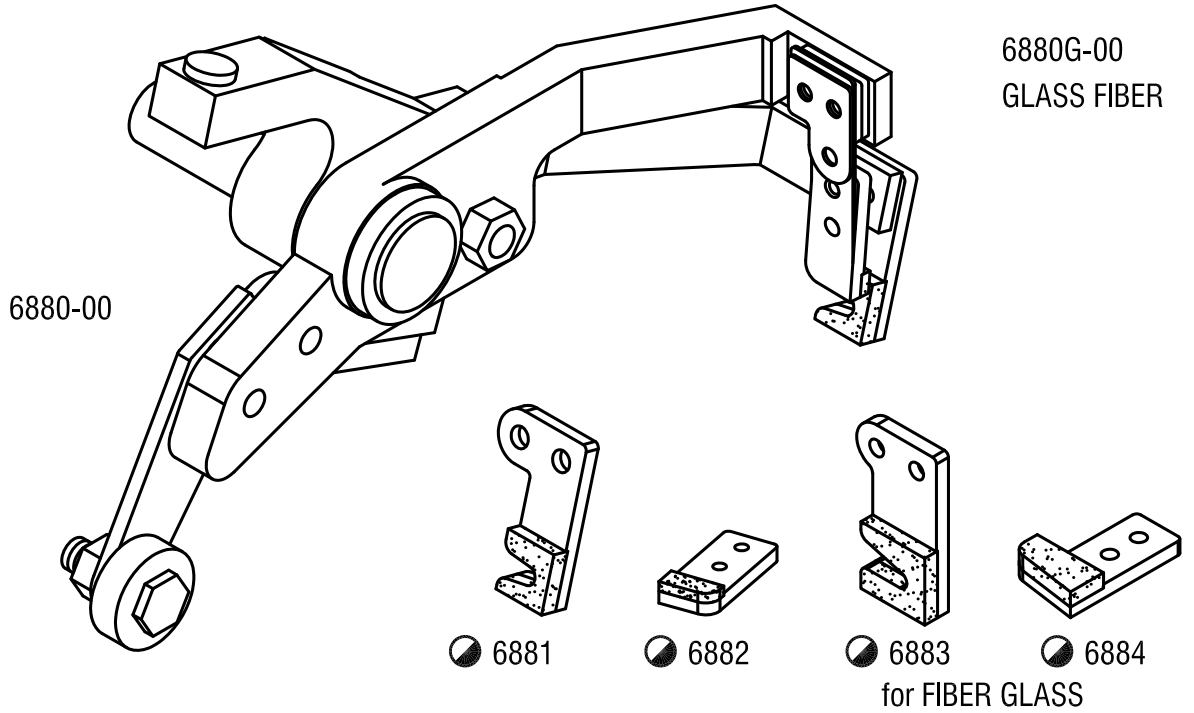
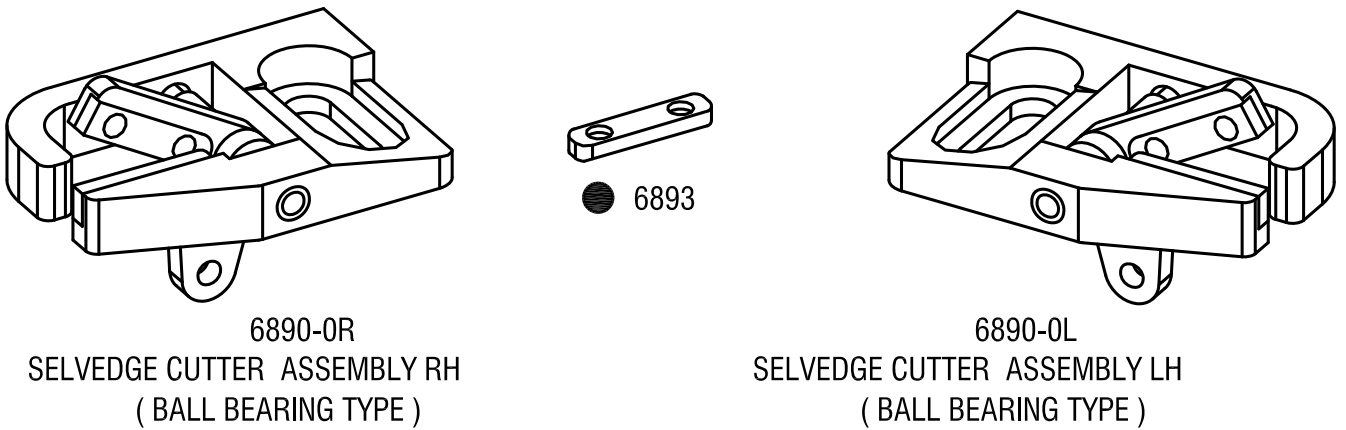


6880 - (WEFT) ASSEMBLY



6890 - (SELVEDGE)



MATERIAL CODE : ● SOLID CARBIDE , ○ HSS , ◐ BRAZED CARBIDE , ⊙ TIN COATED