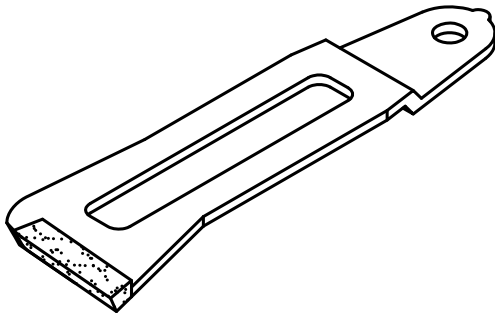
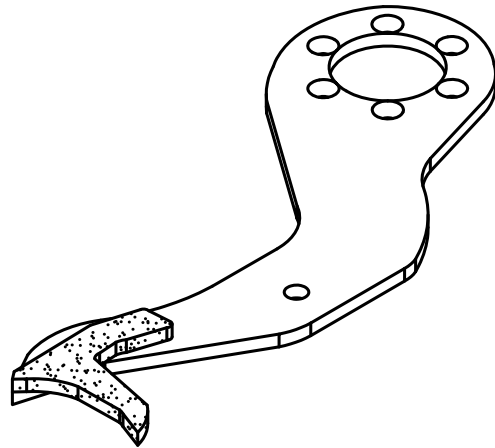


3420 - (WEFT)

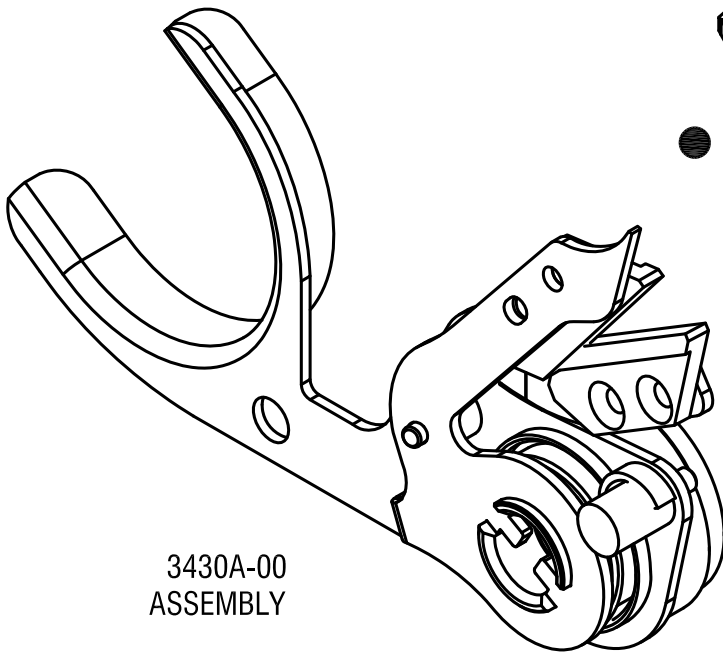


● 3421

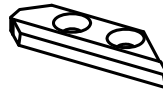


● 3422

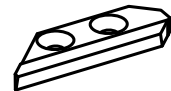
3430 - (SELVEDGE)



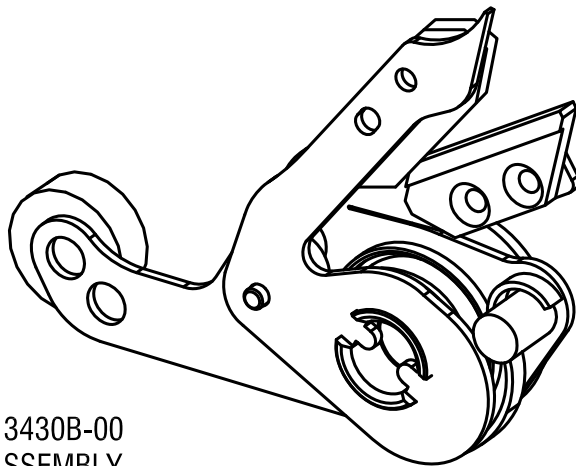
3430A-00
ASSEMBLY



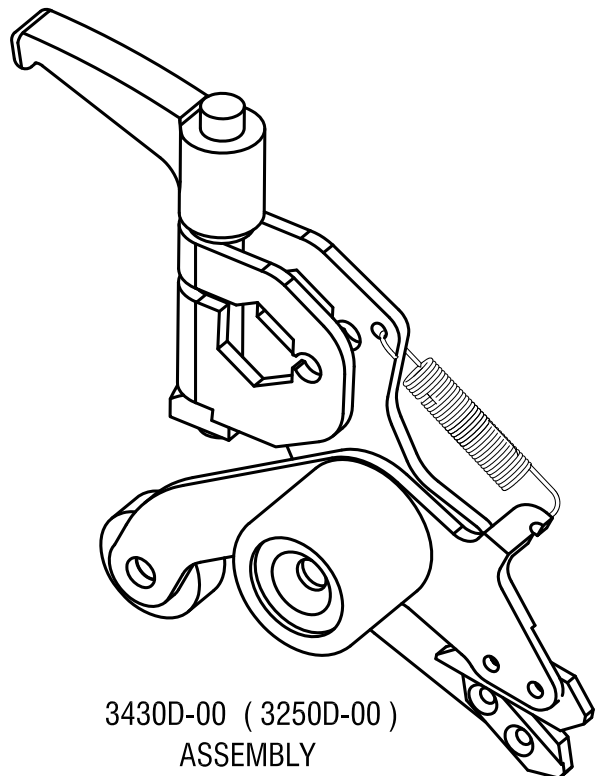
● 3431R (3251R)



● 3431L (3251L)



3430B-00
ASSEMBLY



3430D-00 (3250D-00)
ASSEMBLY

MATERIAL CODE : ● SOLID CARBIDE , ○ HSS , ◐ BRAZED CARBIDE , ⊙ TIN COATED