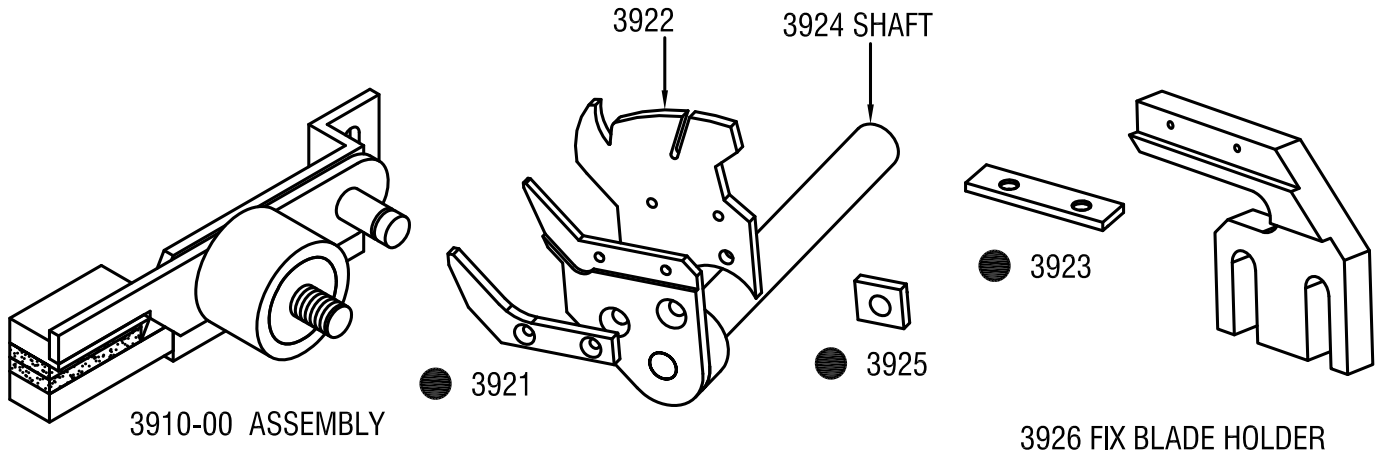


FOR WIRE RAPIER

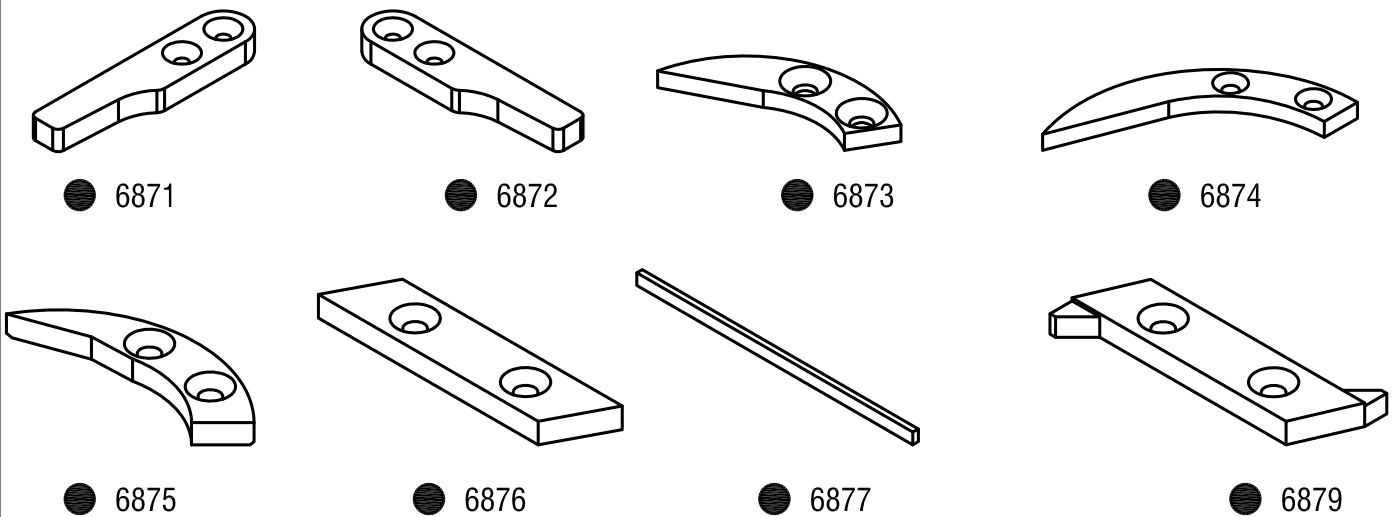
W45

3910 -

3920 -

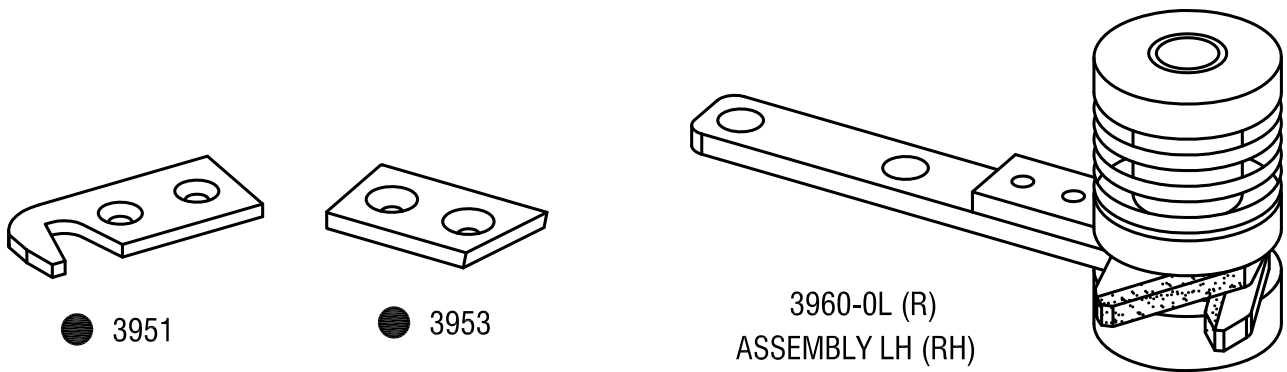


6870-



FOR TRAVI RAPIER

3950 & 3960 - (WEFT & SELVEDGE)



MATERIAL CODE : ● SOLID CARBIDE , ○ HSS , ◐ BRAZED CARBIDE , ⊙ TIN COATED