

High Speed Yarn Suction Gun

PAWAN T500

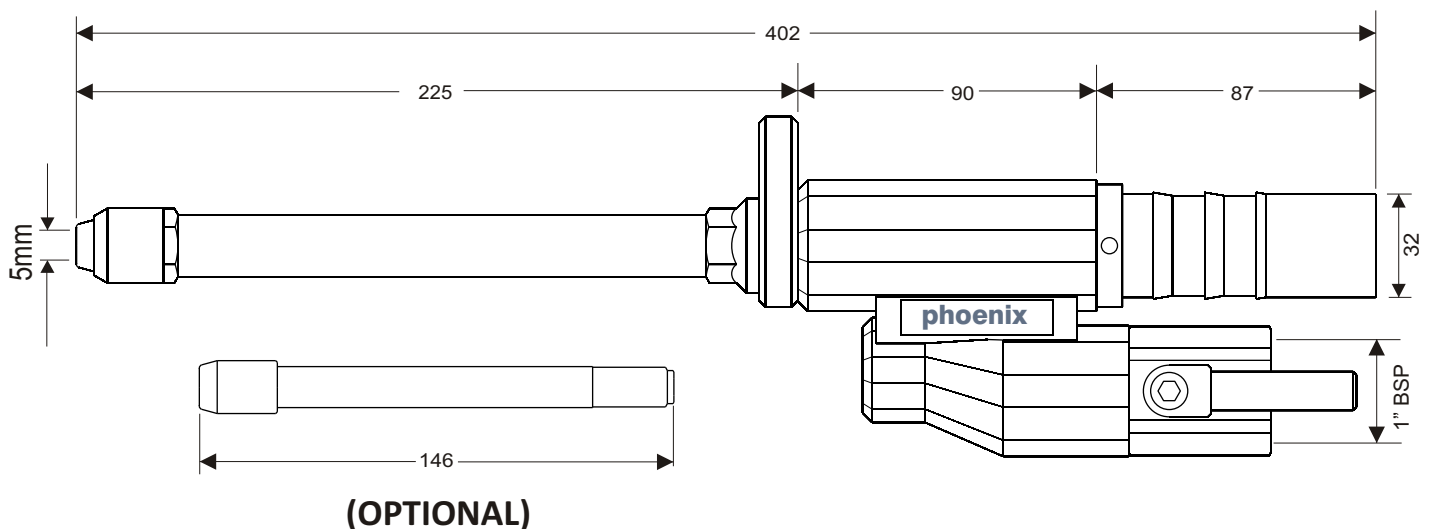
PAWAN T series suction guns are designed to handle yarns at very high speeds (upto 8000 mtr/min) for POY / FDY application. Various models available for handling variety of yarn sizes.

PAWAN 500T



SPECIFICATIONS

OPERATING PRESSURE :	6-14 BAR (kg/cm ²)
YARN SPEED RANGE :	upto 8000 mtr/min
YARN COUNT POSSIBILITIES :	1600 (dtex)
WORKING PRINCIPLE :	TWISTING
AIR SUPPLY CONNECTION :	25 mm ID HOSE
AIR EXHAUST CONNECTION :	32 mm ID HOSE
AIR CONSUMPTION :	52X(BAR+1) m ³ /hr.
OVERALL DIMENSION :	402X85X42 mm
WEIGHT (WITHOUT HOSE) :	1.20 kg



Other modifications on request

REPLACEMENT FOR : HEBERLEIN HS5