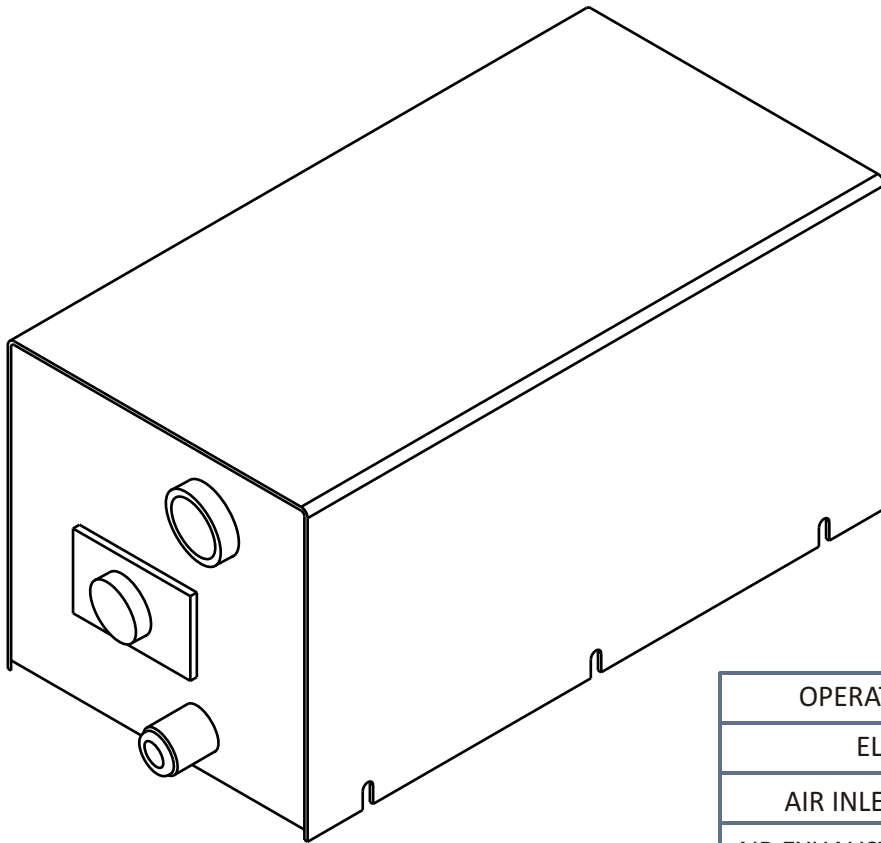


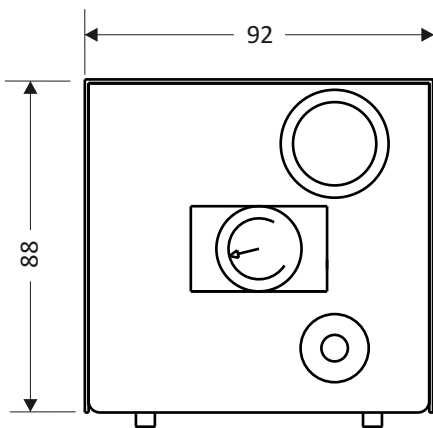
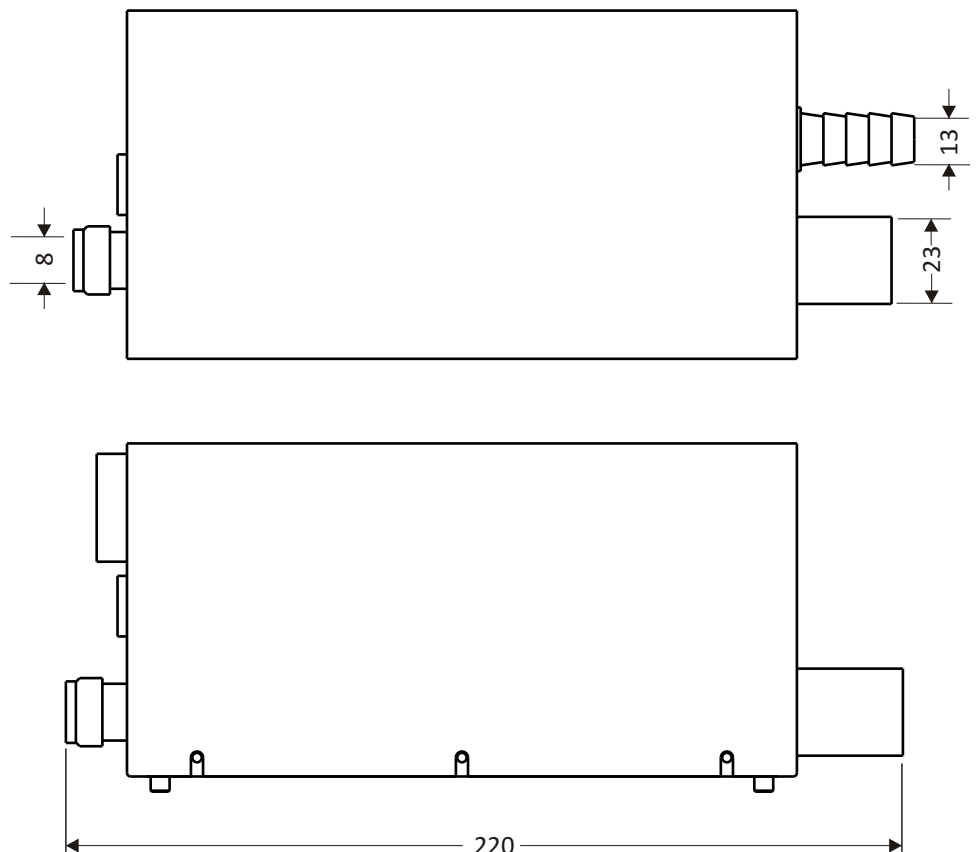
Yarn Suction Devices used for Bobbin Yarn Stripping or Creel Stripping by simultaneous suction of multiple ends. Timer can be set to stop air supply after pre set duration.



A120T

SPECIFICATIONS

OPERATING PRESSURE : 4-6 BAR (kg/cm ²)
ELECTRIC SUPPLY : 24 V DC
AIR INLET CONNECTION : 13 mm ID HOSE
AIR EXHAUST CONNECTION : 23 mm ID HOSE
OVERALL DIMENSION : 92X88X220 mm
WEIGHT : 2.200 kg



Other modifications on request