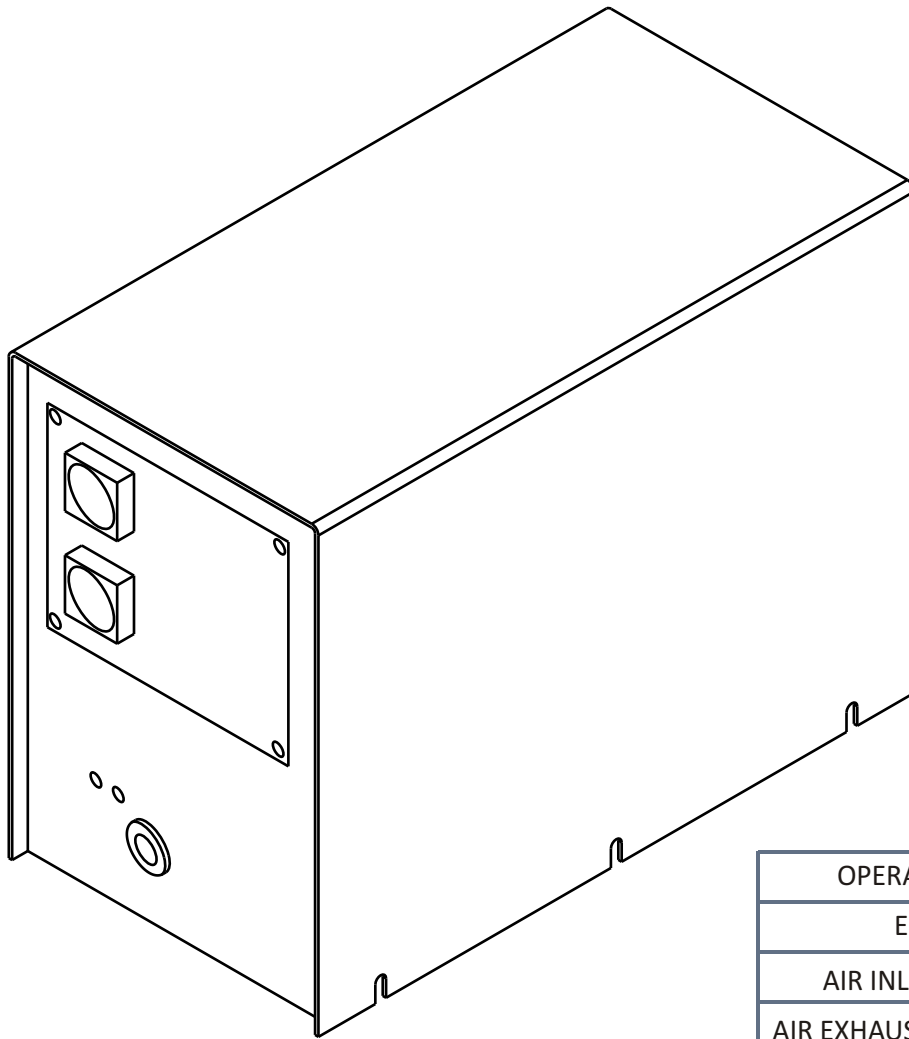


# Yarn Suction Device With Sensor

# PAWAN A140S

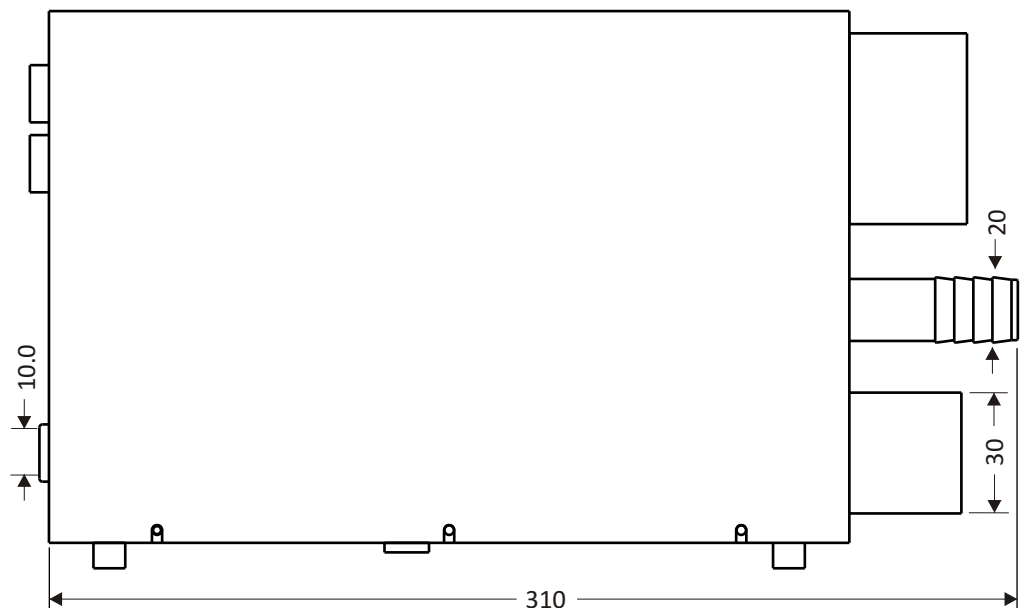
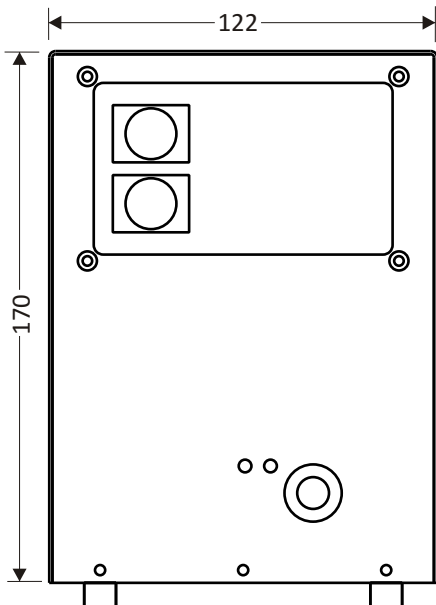
The yarn sensor provided inside the unit will stop air supply when yarn is absent i.e. All bobbins are stripped. Operator need not wait to switch off air supply when stripping operation is over.



**A140S**

## SPECIFICATIONS

OPERATING PRESSURE : 4-6 BAR (kg/cm <sup>2</sup> )
ELECTRIC SUPPLY : 240 AC
AIR INLET CONNECTION : 20 mm ID HOSE
AIR EXHAUST CONNECTION : 30 mm ID HOSE
OVERALL DIMENSION : 122X170X310 mm
WEIGHT :



**Other modifications on request**