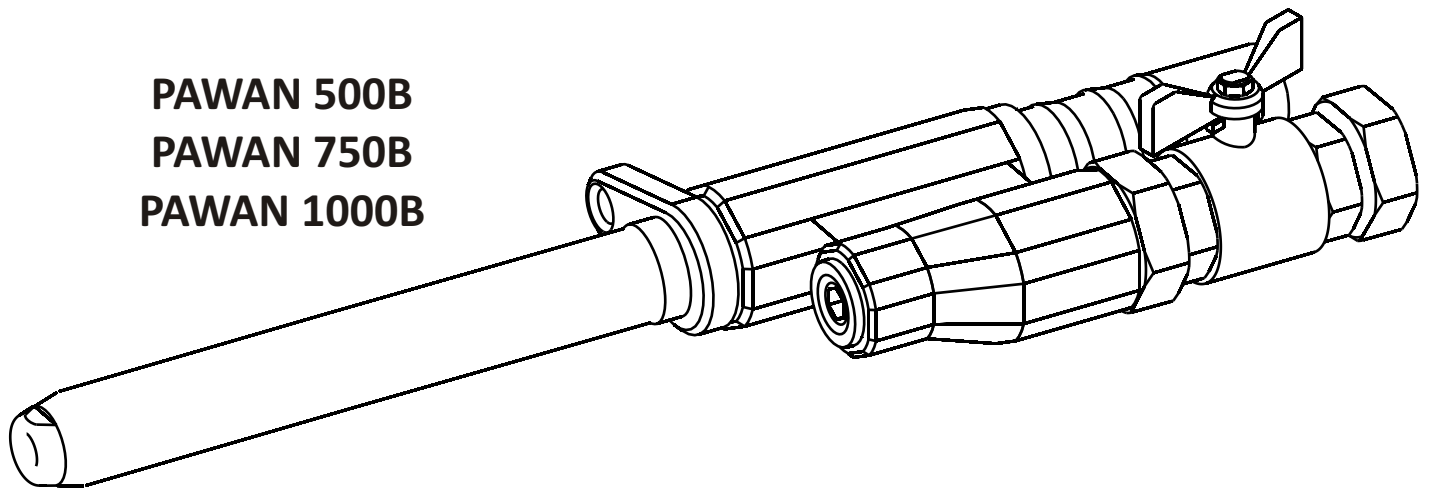


# High Speed Yarn Suction Gun

# PAWAN B500 / B750

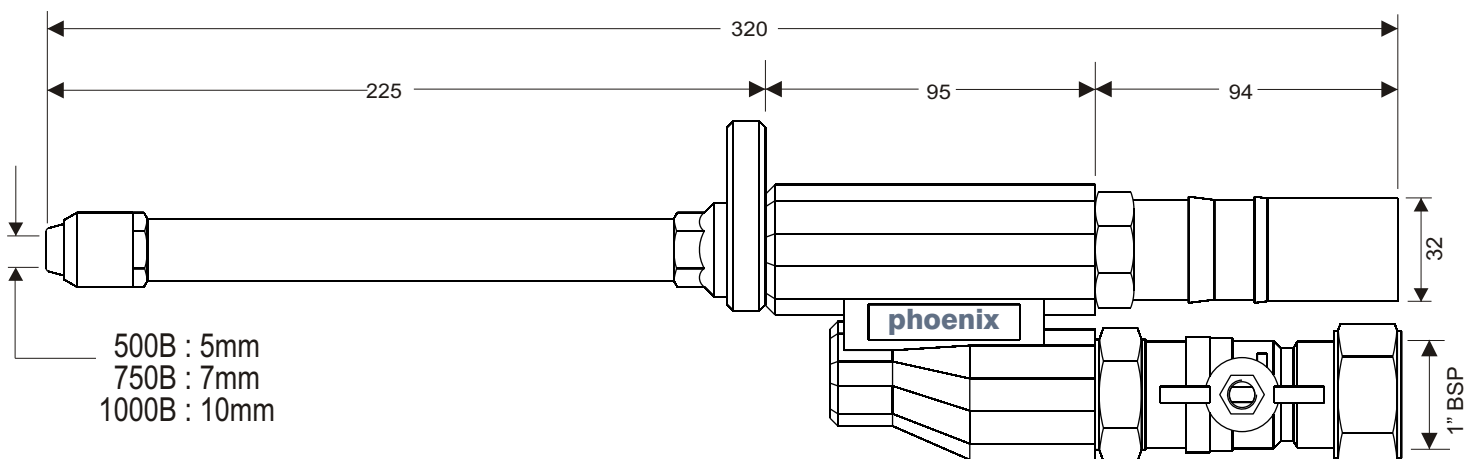
PAWAN B series suction guns are designed to handle yarn at very high speeds (upto 8000 mtr/min)  
 Various models available for handling variety of yarn sizes.  
 All parts 100% interchangeable with original.

**PAWAN 500B**  
**PAWAN 750B**  
**PAWAN 1000B**



## SPECIFICATIONS

TYPE OF SUCTION GUN	B500	B750	B1000
APPLICATION	POY / FDY		
OPERATING PRESSURE	6-14 BAR (kg/cm <sup>2</sup> )		
YARN SPEED RANGE	8000 mtr/min		
YARN COUNT POSSIBILITIES	1600 (dtex)	3200 (dtex)	10000 (dtex)
WORKING PRINCIPLE	TWISTING		
AIR SUPPLY CONNECTION	25 mm ID HOSE		
AIR EXHAUST CONNECTION	32 mm ID HOSE		
AIR CONSUMPTION	52(BAR+1) m <sup>3</sup> /hr.		
OVERALL DIMENSION	320X85X42 mm		
WEIGHT(WITHOUT HOSE)	1.5 kg	1.6 kg	1.7 kg



Other modifications on request

REPLACEMENT FOR : AIR HS5 / HS7 / HS10