

High Speed Yarn Suction Gun PAWAN H500 / H750 / H1000

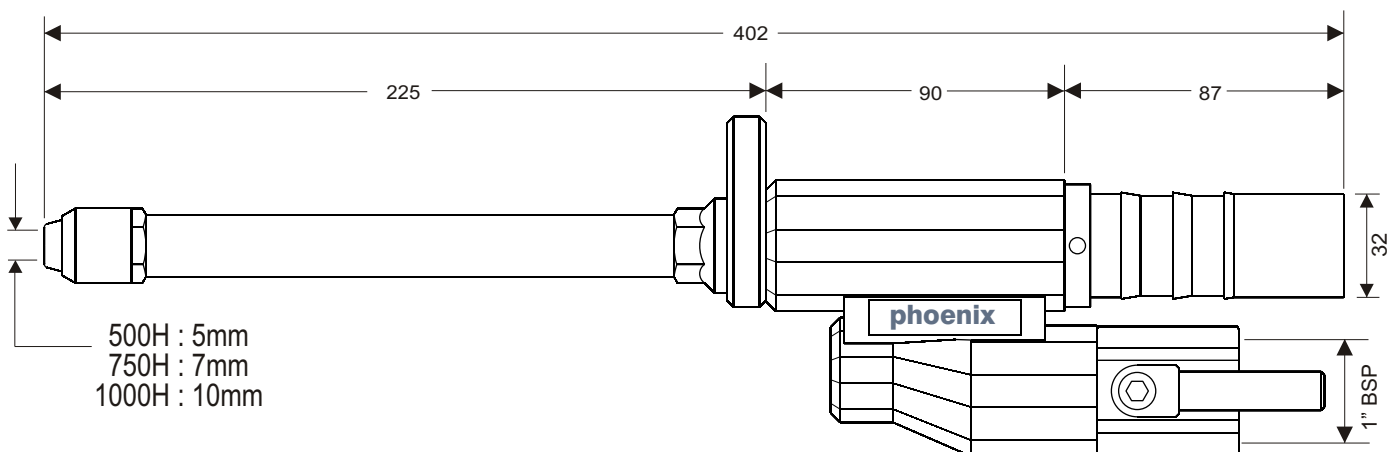
PAWAN H series suction guns are designed to handle yarn at very high speeds (upto 8000 mtr/min)
 Various models available for handling variety of yarn sizes.
 All parts 100% interchangeable with original

PAWAN 500H
PAWAN 750H
PAWAN 1000H



SPECIFICATIONS

TYPE OF SUCTION GUN	H500	H750	H1000
APPLICATION	POY / FDY		
OPERATING PRESSURE	6-14 BAR (kg/cm ²)		
YARN SPEED RANGE	8000 mtr/min		
YARN COUNT POSSIBILITIES	1600 (dtex)	3200 (dtex)	10000 (dtex)
WORKING PRINCIPLE	TWISTING		
AIR SUPPLY CONNECTION	25 mm ID HOSE		
AIR EXHAUST CONNECTION	32 mm ID HOSE		
AIR CONSUMPTION	52(BAR+1) m ³ /hr.		
OVERALL DIMENSION	423X85X42 mm		
WEIGHT(WITHOUT HOSE)	1.3 kg	1.4 kg	1.5 kg



Other modifications on request

REPLACEMENT FOR HEBERLEIN HS5 / HS7 / HS10