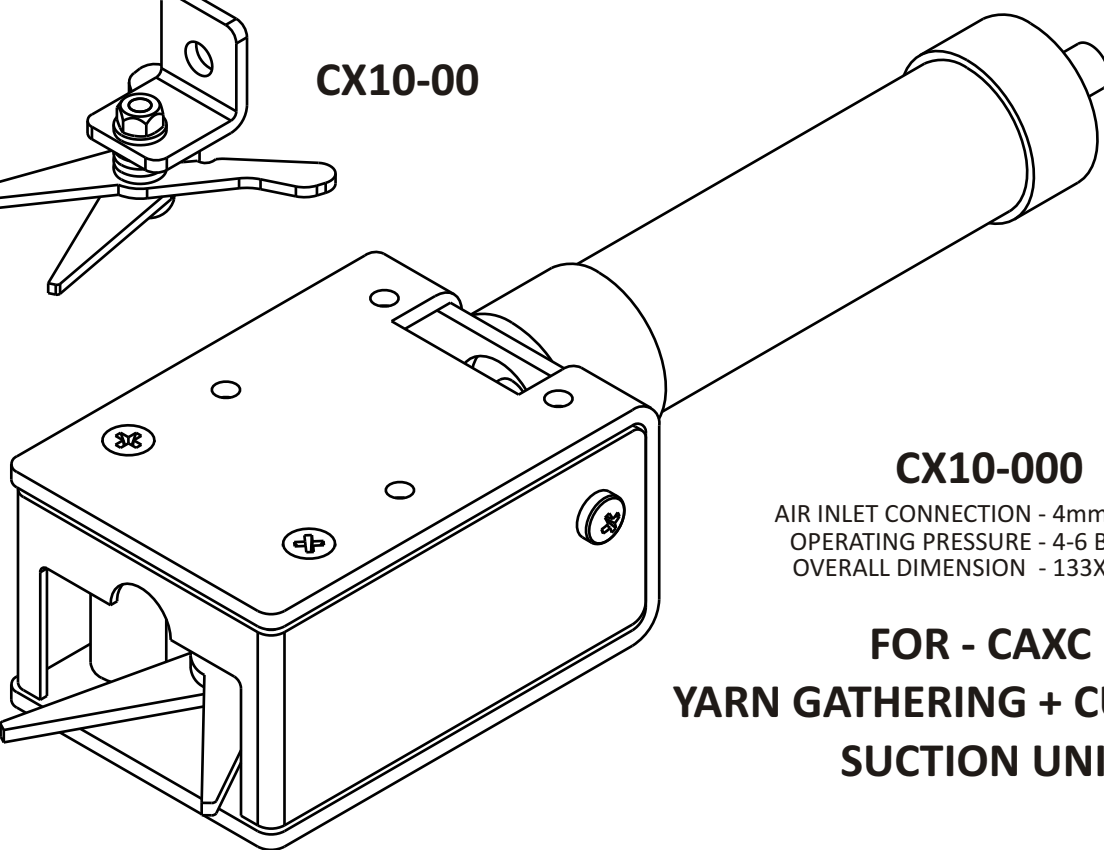


CX10-00

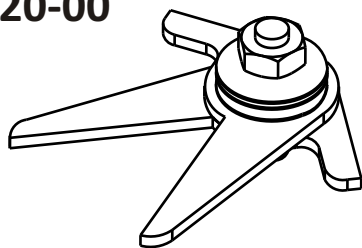


CX10-000

AIR INLET CONNECTION - 4mm OD PIPE
OPERATING PRESSURE - 4-6 BAR
OVERALL DIMENSION - 133X40X31L

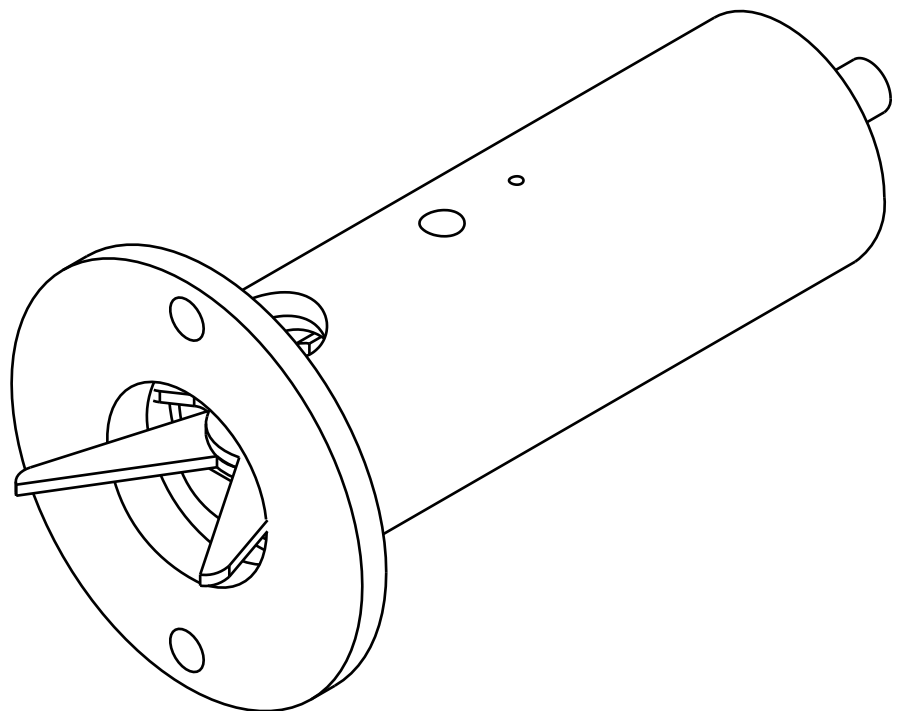
**FOR - CAXC
YARN GATHERING + CUTTING +
SUCTION UNIT**

CX20-00



CX20-000

AIR INLET CONNECTION - 4mm OD PIPE
OPERATING PRESSURE - 4-6 BAR
OVERALL DIMENSION - D44X90L



**FOR - CAXB
YARN GATHERING + CUTTING +
SUCTION UNIT**