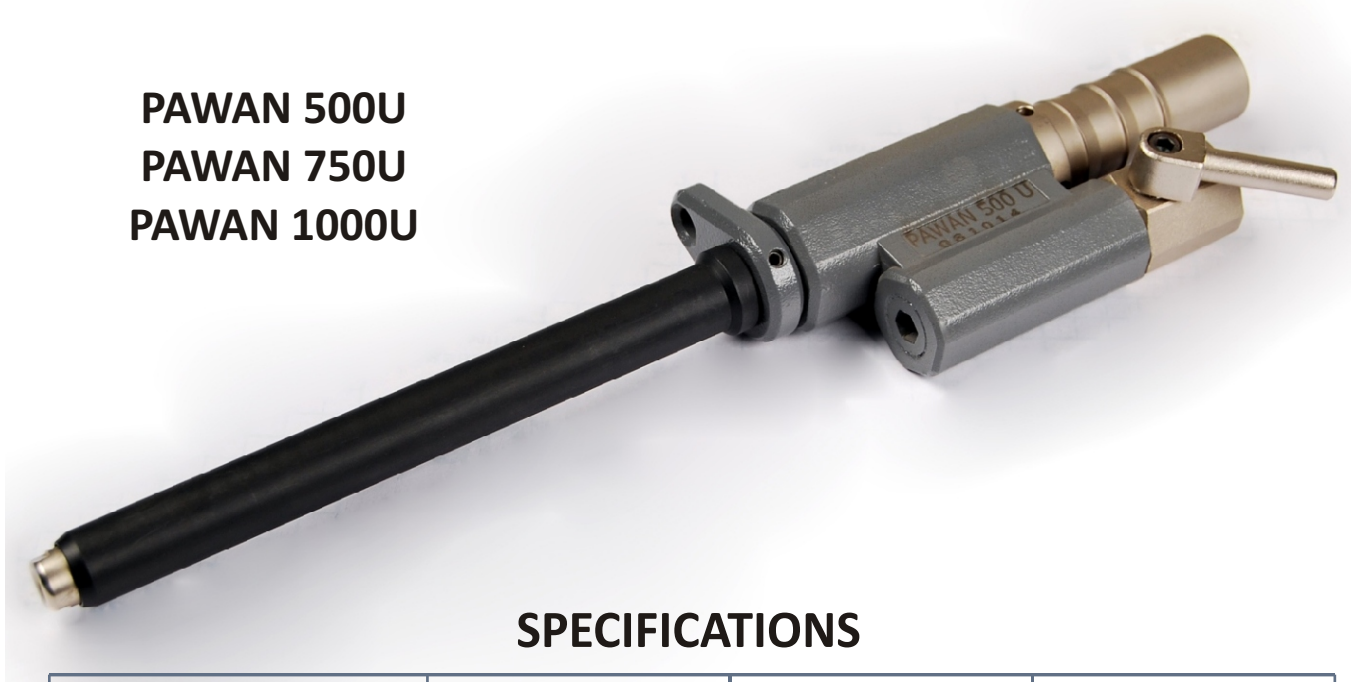


High Speed Yarn Suction Gun PAWAN U500 / U750 / U1000

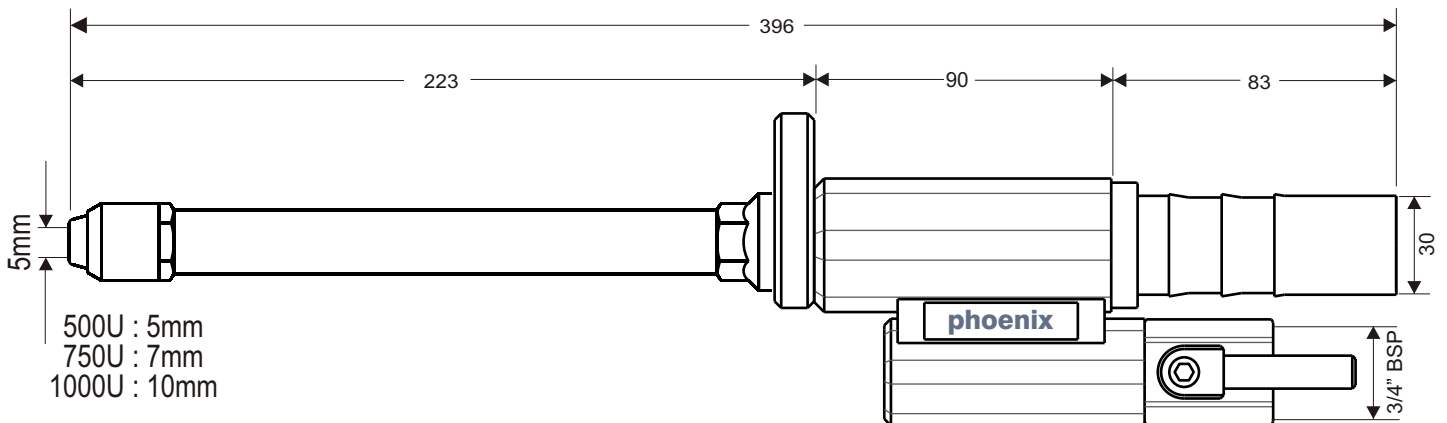
PAWAN U series is a modified version of PAWAN S series of suction guns. With a new configuration of nozzle & chamber, the performance equivalent to PAWAN S is achieved with about 20% less air consumption. PAWAN U guns are widely used on high speed spinning machines (upto 5500 mtr/min). Various models available for handling variety of yarn size & speed.

PAWAN 500U
PAWAN 750U
PAWAN 1000U



SPECIFICATIONS

TYPE OF SUCTION GUN	U500	U750	U1000
APPLICATION	POY/FDY		
OPERATING PRESSURE	5-10 BAR (kg/cm ²)		
YARN SPEED RANGE	5500 mtr/min		
YARN COUNT POSSIBILITIES	1600 (dtex)	3200 (dtex)	10000 (dtex)
WORKING PRINCIPLE	TWISTING		
AIR SUPPLY CONNECTION	20 mm ID HOSE		
AIR EXHAUST CONNECTION	30 mm ID HOSE		
AIR CONSUMPTION	38(BAR+1) m ³ /hr.		
OVERALL DIMENSION	396X75X42 mm		
WEIGHT(WITHOUT HOSE)	1.1 kg	1.2 kg	1.3 kg



Other modifications on request

REPLACEMENT FOR : HEBERLEIN LC5 / LC7 / LC10