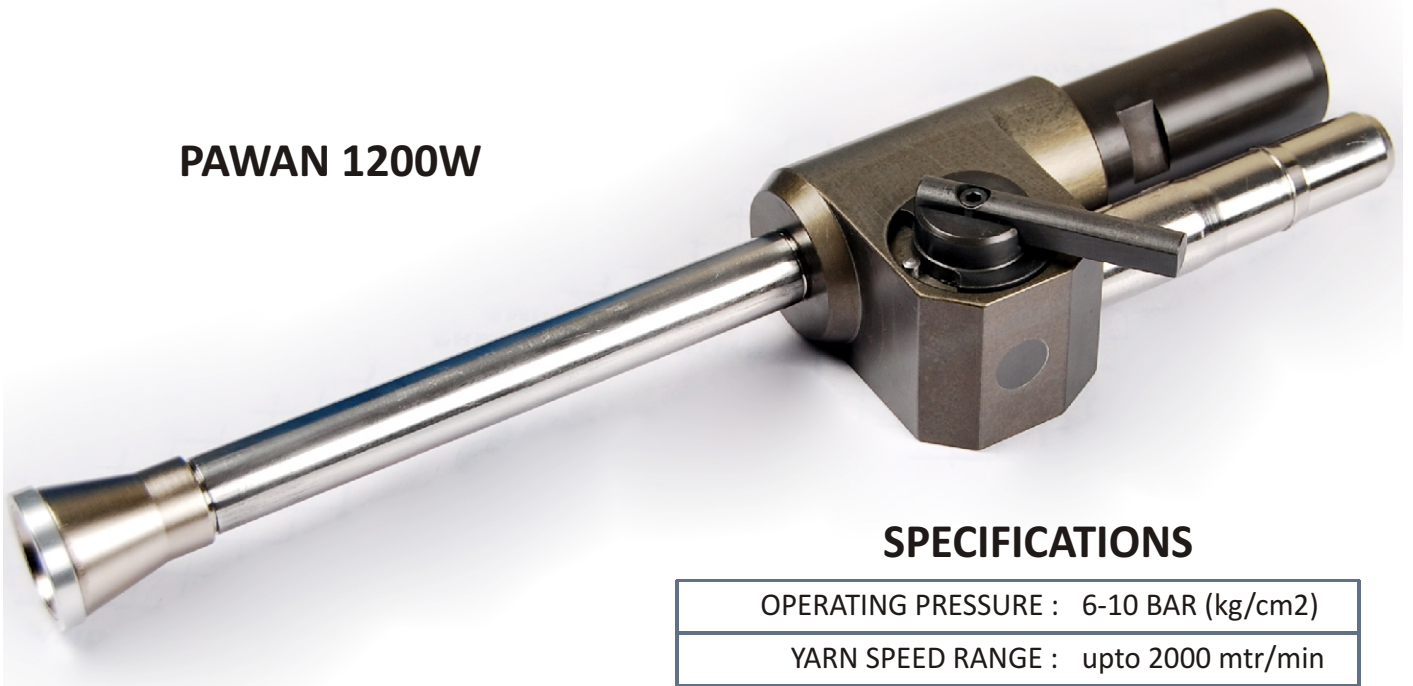


Special Purpose Yarn Suction Gun

PAWAN W1200

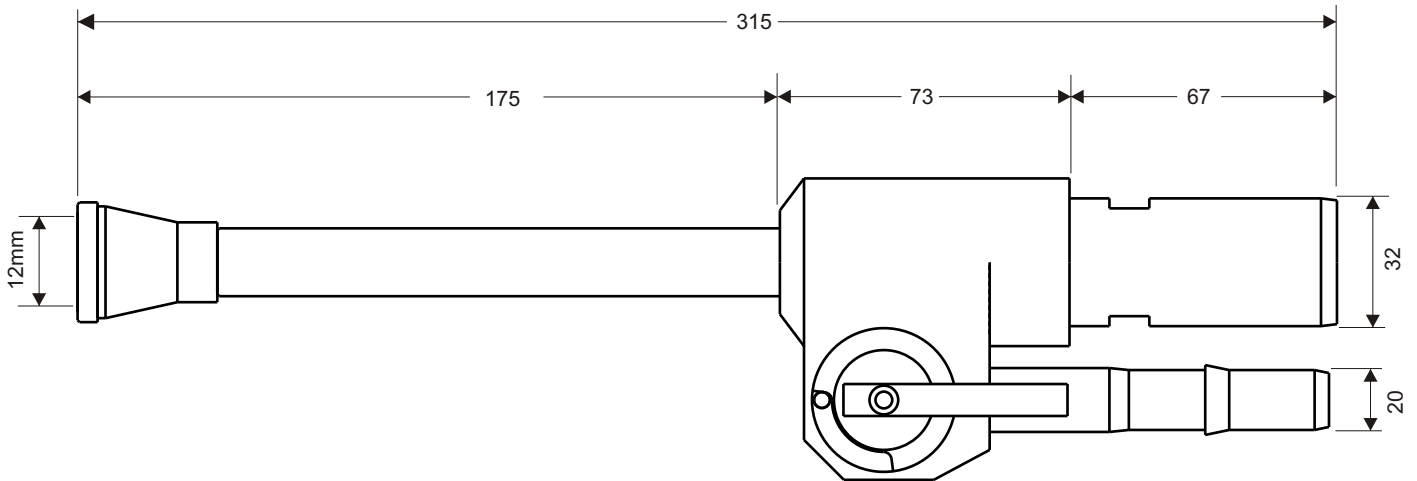
PAWAN W series suction guns are special purpose suction guns , specifily designed for handling high yarn volume like staple fiber tow.

PAWAN 1200W



SPECIFICATIONS

| | |
|----------------------------|--------------------------------|
| OPERATING PRESSURE : | 6-10 BAR (kg/cm ²) |
| YARN SPEED RANGE : | upto 2000 mtr/min |
| YARN COUNT POSSIBILITIES : | 20000 (dtex) |
| WORKING PRINCIPLE : | TWISTING |
| AIR SUPPLY CONNECTION : | 20 mm ID HOSE |
| AIR EXHAUST CONNECTION : | 32 mm ID HOSE |
| AIR CONSUMPTION : | m ³ /hr. |
| OVERALL DIMENSION : | 315X76X42 mm |
| WEIGHT (WITHOUT HOSE) : | 0.75 kg |



Other modifications on request

REPLACEMENT FOR : TEIJIN