

TOW TYING CUTTING UNIT

CP40

PAWAN Bandh CP40 is a moving yarn tying (splicing) & cutting unit, used in production of staple fiber.

Tow yarn to be tied is guided thru an open splicing chamber & yarn cutter.

By pressing a button, the tow yarn is tied to a bunch of moving tow yarn in the splicing chamber & is simultaneously cut by pneumatic cutter.

PAWAN BANDH CP40

SPECIFICATION

APPLICATION : STAPLE FIBER YARN

OPERATING PRESSURE : 8-10 BAR (kg/cm²)

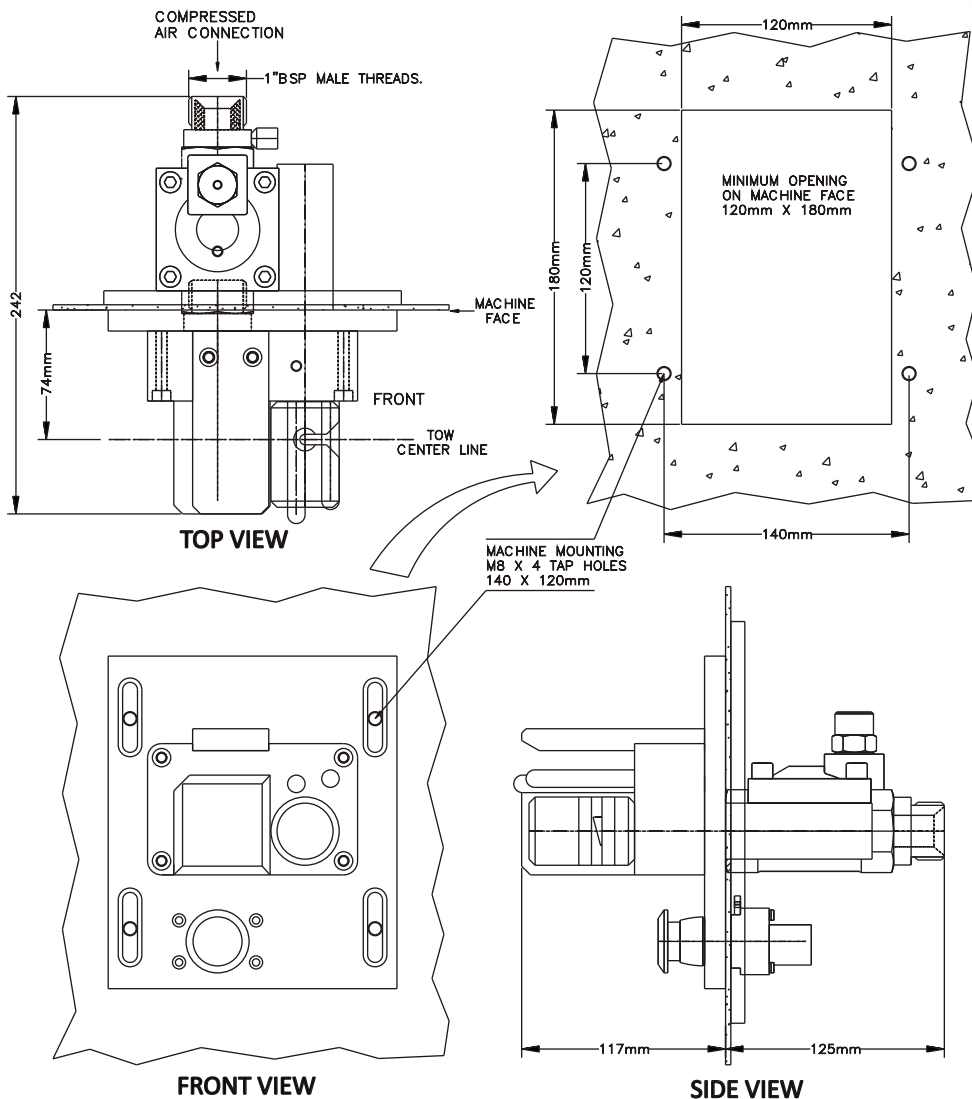
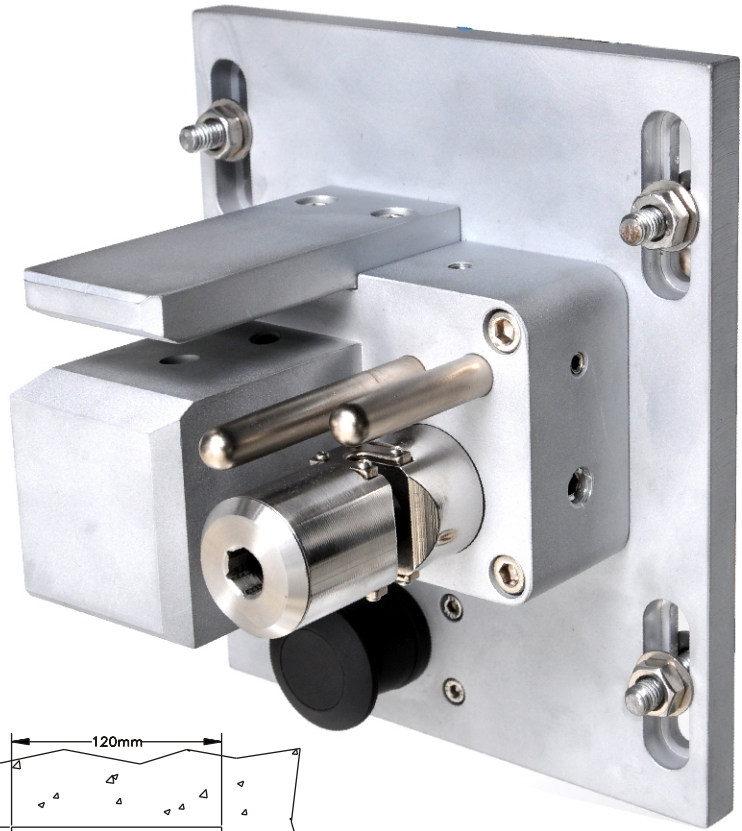
YARN SPEED RANGE :

AIR CONNECTION : 1" BSP MALE THRED (D33)

OVERALL DIMENSION : 230X190X240mm

WORKING METHOD : AUTOMATIC

WEIGHT : 3.0 kg.



Other modifications on request