

# PNEUMATIC YARN SPLICER

P030

**PAWAN BANDH P030** is a simple manual device for joining filament yarn. Yarn can be spliced by inserting the yarns in a chamber & introducing blast of compressed air by pressing a lever. Air injection time to suit the yarn size. tail ends are cut manually.



**PAWAN BANDH P030**

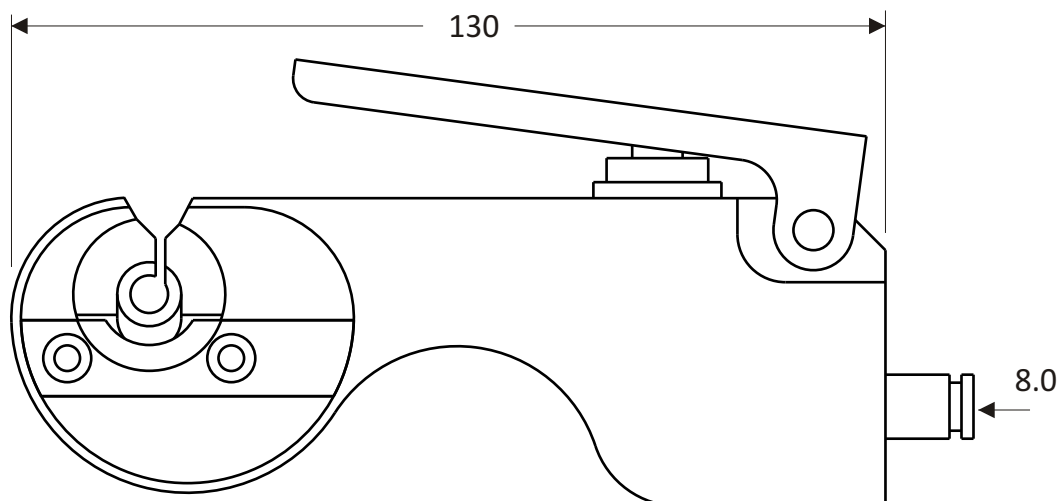
## SPECIFICATION

APPLICATION FIELD :  
OPERATING PRESSURE : 2 - 6bar (kg/cm<sup>2</sup>)  
YARN COUNT POSSIBILITIES : (tpm)  
WORKING PRINCIPLE : TWISTING  
OVERALL DIMENSION : 130 X 38 X 23 mm  
AIR CONNECTION : 8 mm OD PNEUMATIC PIPE  
WORKING METHOD : MANUAL  
WEIGHT : 400 gms

## APPLICATION

BCF YARN

SUITABLE FOR	YARN RANGE
1 : CARPET YARN	400 - 5000 dtex



Other modifications on request