

PNEUMATIC YARN SPLICER

P250

PAWAN Bandh P250 yarn splicers work on compressed air & are used for splicing Industrial synthetic filament yarns. Pawan Bandh is made up of precision machined metallic components assembled in Aluminium body. This automatic splicer works on differential pneumatic logic.

SPECIFICATION

APPLICATION FIELD : DRAW WINDING / TWISTING MACHINE

OPERATING PRESSURE : 4 - 6bar (kg/cm²)

MAX PERMISSIBLE TWIST : 150 (tpm)

WORKING PRINCIPLE : TWISTING

OVERALL DIMENSION : 185 X 120 X 40mm

AIR CONNECTION : 10 mm ID HOSE PIPE

WORKING METHOD : AUTOMATIC

WEIGHT : 1.250 gms

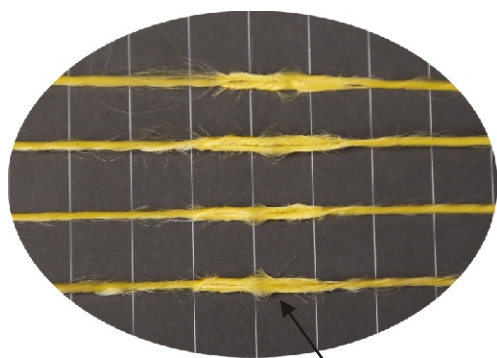
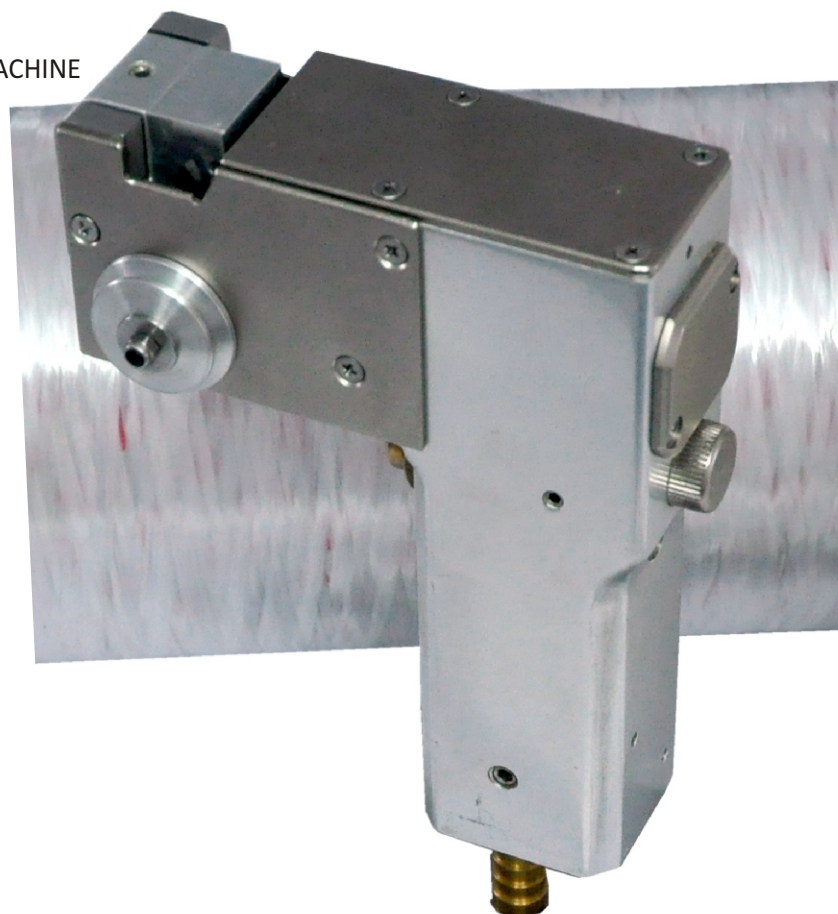
CHAMBER : 4 TYP

SPLICE LENGTH : 25 mm

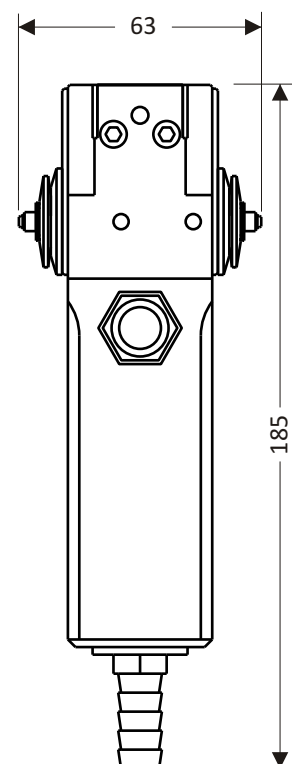
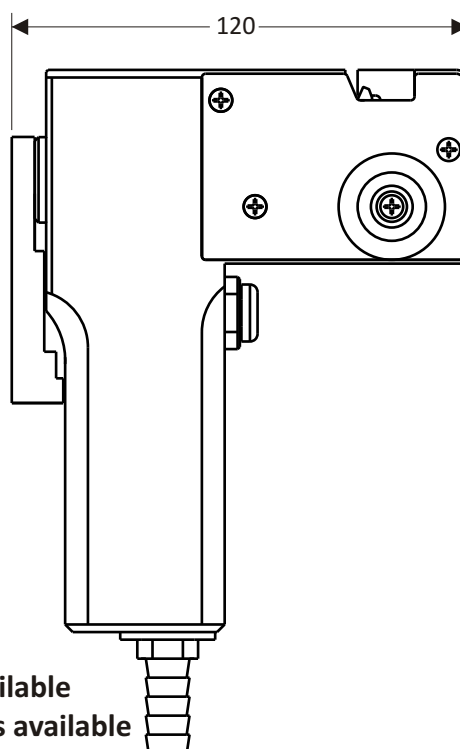
APPLICATION

INDUSTRIAL FILAMENT YARN

SUITABLE FOR	YARN RANGE
1 : SYNTHETIC	470 - 4000 dtex
2 : CELLULOSE	470 - 9000 dtex
3 : CARBON FIBER	2000 - 8000 dtex
4 : GLASS FIBER	70 - 400 tex



SPLICE YARN



- > Operation & Maintenance Training Services available
- > Spare part / Reconditioning / Repairing Services available
- > Other Modification on Request.