

PAWAN Bandh P700 yarn splicers work on compressed air & are used for aramid yarns in anti-ballistic weaves, for the manufacture of cabled yarns and cords, glass fiber and many other difficult applications. Pawan Bandh is made up of precision machined metallic components assembled in Aluminium body. This automatic splicer works on differential pneumatic logic.

SPECIFICATION

APPLICATION FIELD : GLASS FIBER / CARBON / ARAMID FIBER PROCESSING

OPERATING PRESSURE : 4 - 6bar (kg/cm²)

WORKING PRINCIPLE : TWISTING

OVERALL DIMENSION : 185 X 120 X 104 mm

AIR CONNECTION : 10 mm ID HOSE PIPE

WORKING METHOD : AUTOMATIC

WEIGHT : 1.7 gms

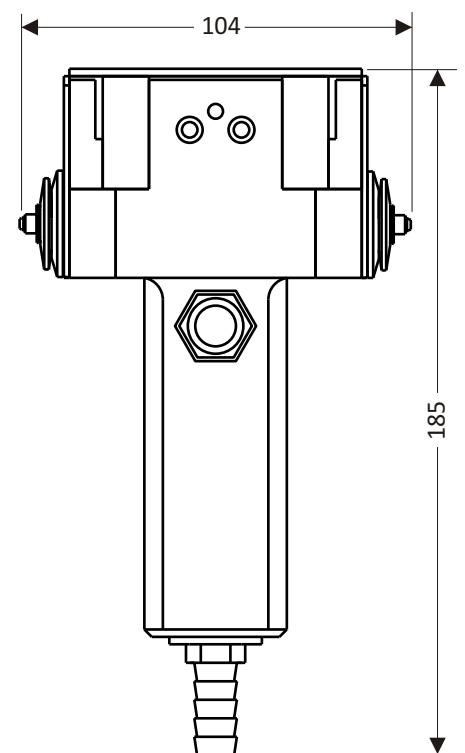
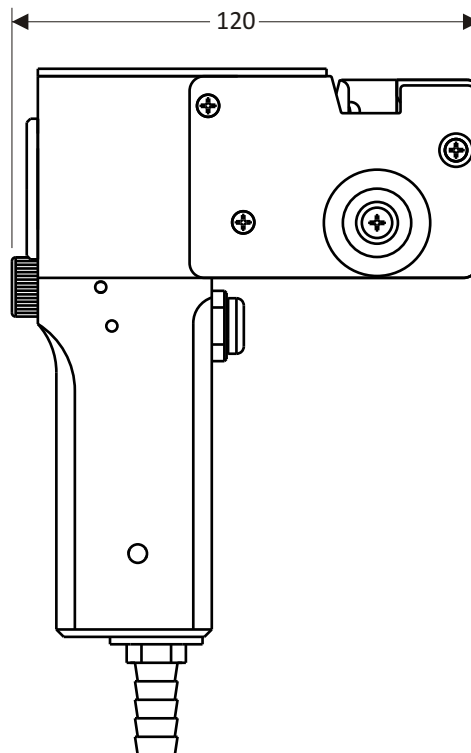
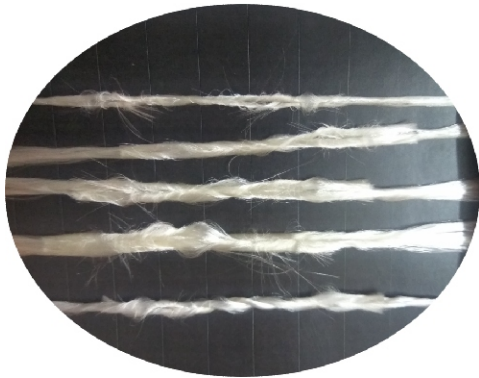
SPLICE LENGTH : 40.0 mm



APPLICATION

INDUSTRIAL FILAMENT YARN

SUITABLE FOR	YARN RANGE
1 : SYNTHETIC	13000 - 33000 dtex
2 : CARBON FIBER	100 - 29000 dtex
3 : GLASS FIBER	2200 - 4800 tex
4 : DYNEEMA	400 - 5800 dtex
5 : ARAMID	420 - 8400 dtex



- > Operation & Maintenance Training Services available
- > Spare part / Reconditioning / Repairing Services available
- > Other Modification on Request.