

**PAWAN Bandh P310** is automatic Splicer specially designed for yarns difficult to splice by normal splicer like high bulk carpet ply yarns.



## SPECIFICATION

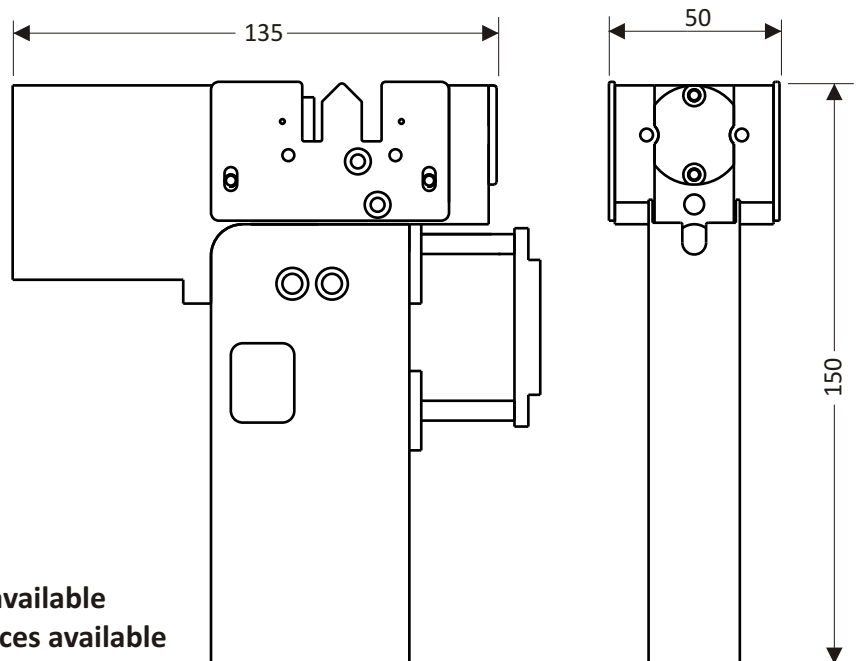
APPLICATION FIELD : CARPET YARN PROCESSING  
 OPERATING PRESSURE : 4 - 6bar (kg/cm<sup>2</sup>)  
 MAX PERMISSIBLE TWIST : 400 (tpm)  
 WORKING PRINCIPLE : TWISTING  
 OVERALL DIMENSION : 150 X 135 X 50 mm  
 AIR CONNECTION : 8 mm OD PNEUMATIC PIPE  
 WORKING METHOD : AUTOMATIC  
 WEIGHT : 600 gms  
 SPLICE LENGTH : 31 mm

## APPLICATION

CARPET YARN

SUITABLE FOR	YARN RANGE
1 : SYNTHETIC	YES
2 : CARPET YARN	500 - 10000 dtex

SPLICE YARN



- > Operation & Maintenance Training Services available
- > Spare part / Reconditioning / Repairing Services available
- > Other Modification on Request.