

PAWAN Bandh P250 yarn splicers work on compressed air & are used for splicing Industrial synthetic filament yarns. Pawan Bandh is made up of precision machined metallic components assembled in Aluminium body. This automatic splicer works on differential pneumatic logic.

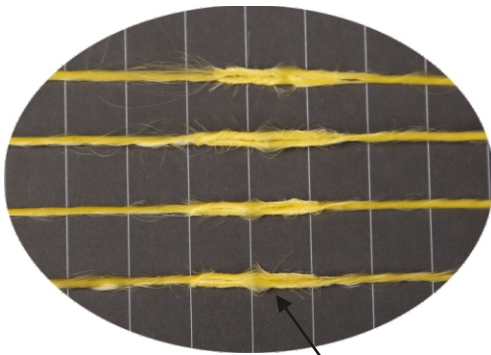
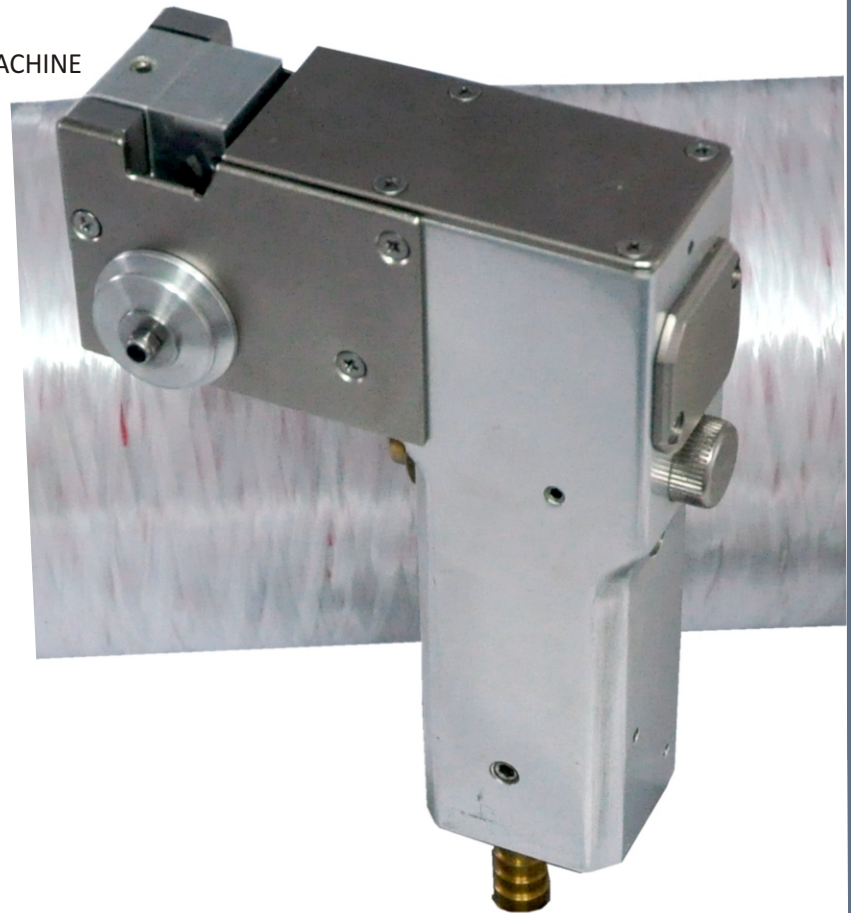
SPECIFICATION

APPLICATION FIELD : DRAW WINDING / TWISTING MACHINE
 OPERATING PRESSURE : 4 - 6bar (kg/cm²)
 MAX PERMISSIBLE TWIST : 150 (tpm)
 WORKING PRINCIPLE : TWISTING
 OVERALL DIMENSION : 185 X 120 X 40mm
 AIR CONNECTION : 10 mm ID HOSE PIPE
 WORKING METHOD : AUTOMATIC
 WEIGHT : 1.250 gms
 CHAMBER : 4 TYP
 SPLICE LENGTH : 25 mm

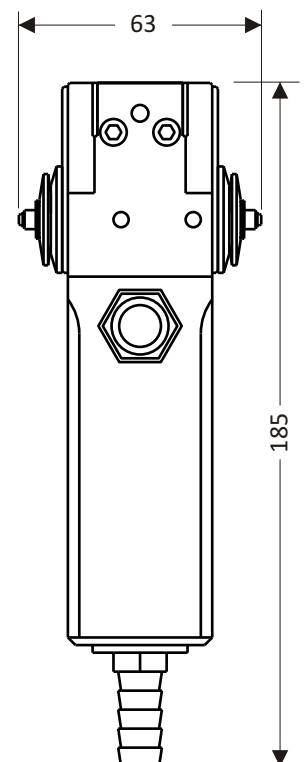
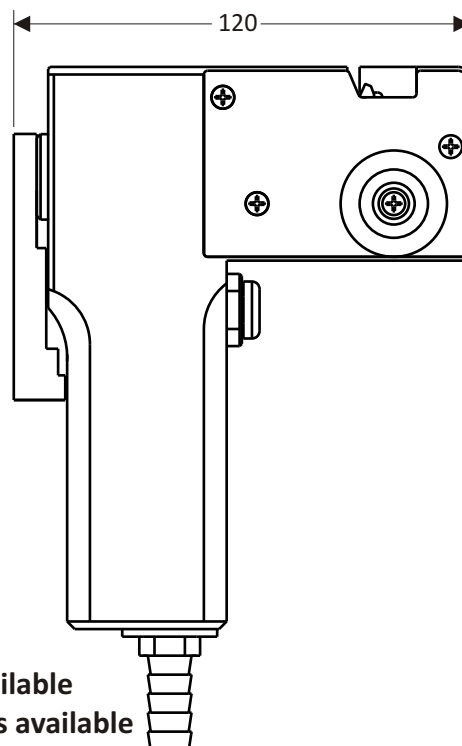
APPLICATION

INDUSTRIAL FILAMENT YARN

SUITABLE FOR	YARN RANGE
1 : SYNTHETIC	470 - 4000 dtex
2 : CELLULOSE	470 - 9000 dtex
3 : CARBON FIBER	2000 - 8000 dtex
4 : GLASS FIBER	70 - 400 tex



SPLICE YARN



- > Operation & Maintenance Training Services available
- > Spare part / Reconditioning / Repairing Services available
- > Other Modification on Request.