

PAWAN Bandh P400 yarn splicers work on compressed air & are used for aramid yarns in anti-ballistic weaves, for the manufacture of cabled yarns and cords, glass fiber and many other difficult applications. Pawan Bandh is made up of precision machined metallic components assembled in Aluminium body. This automatic splicer works on differential pneumatic logic.

SPECIFICATION

APPLICATION FIELD : GLASS FIBER / CARBON / ARAMID FIBER PROCESSING

OPERATING PRESSURE : 4 - 6bar (kg/cm²)

WORKING PRINCIPLE : TWISTING

OVERALL DIMENSION : 185 X 120 X 85 mm

AIR CONNECTION : 10 mm ID HOSE PIPE

WORKING METHOD : AUTOMATIC

WEIGHT : 1.7 gms

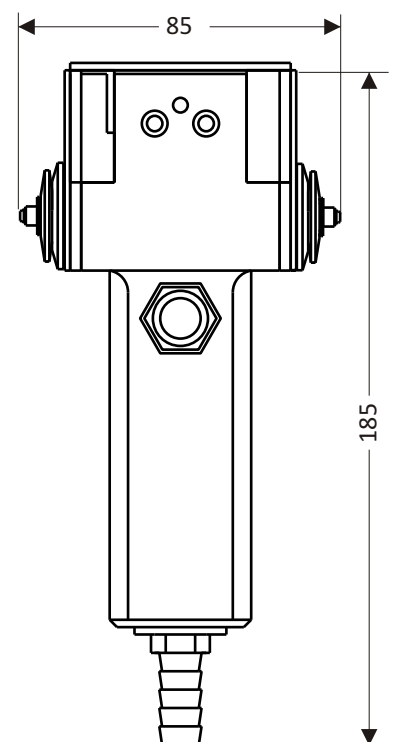
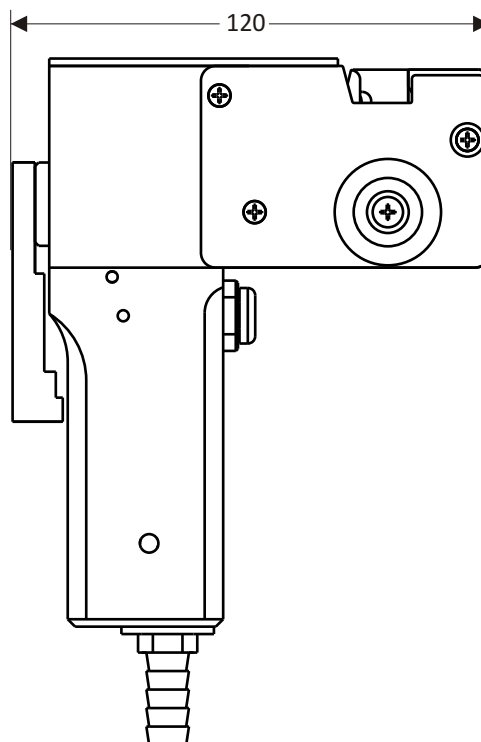
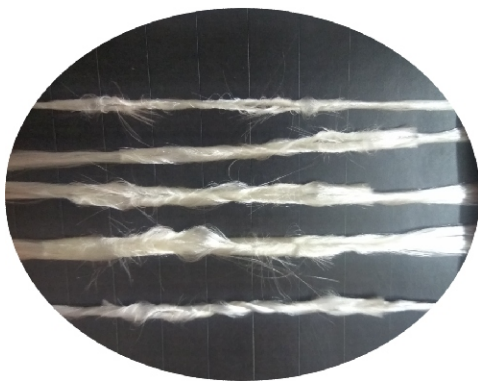
SPLICE LENGTH : 40.0 mm



APPLICATION

INDUSTRIAL FILAMENT YARN

SUITABLE FOR	YARN RANGE
1 : SYNTHETIC	3000 - 17000 dtex
2 : CELLULOSE	1100 - 20000 dtex
3 : CARBON FIBER	2000 - 12000 dtex
4 : GLASS FIBER	400 - 2400 tex
5 : DYNEEMA	400 - 1600 dtex
6 : ARAMID	100 - 2000 dtex



- > Operation & Maintenance Training Services available
- > Spare part / Reconditioning / Repairing Services available
- > Other Modification on Request.