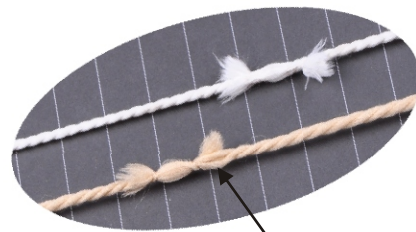


PAWAN Bandh P320 is automatic Splicer specially designed for yarns difficult to splice by normal splicer like high bulk carpet ply yarns.



SPLICE YARN

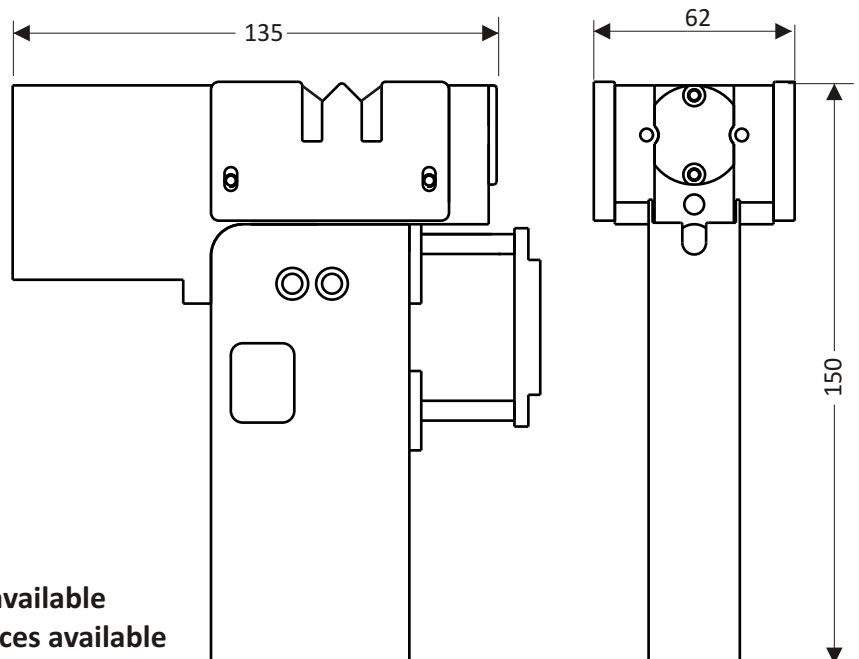
SPECIFICATION

APPLICATION FIELD : CARPET YARN PROCESSING
 OPERATING PRESSURE : 4 - 6bar (kg/cm²)
 MAX PERMISSIBLE TWIST : 400 (tpm)
 WORKING PRINCIPLE : TWISTING
 OVERALL DIMENSION : 150 X 135 X 50 mm
 AIR CONNECTION : 8 mm OD PNEUMATIC PIPE
 WORKING METHOD : AUTOMATIC
 WEIGHT : 600 gms
 SPLICE LENGTH : 31 mm

APPLICATION

CARPET YARN

SUITABLE FOR	YARN RANGE
1 : SYNTHETIC	YES
2 : CARPET YARN	500 - 10000 dtex



- > Operation & Maintenance Training Services available
- > Spare part / Reconditioning / Repairing Services available
- > Other Modification on Request.