

Special Purpose Yarn Suction Gun

PAWAN W1200

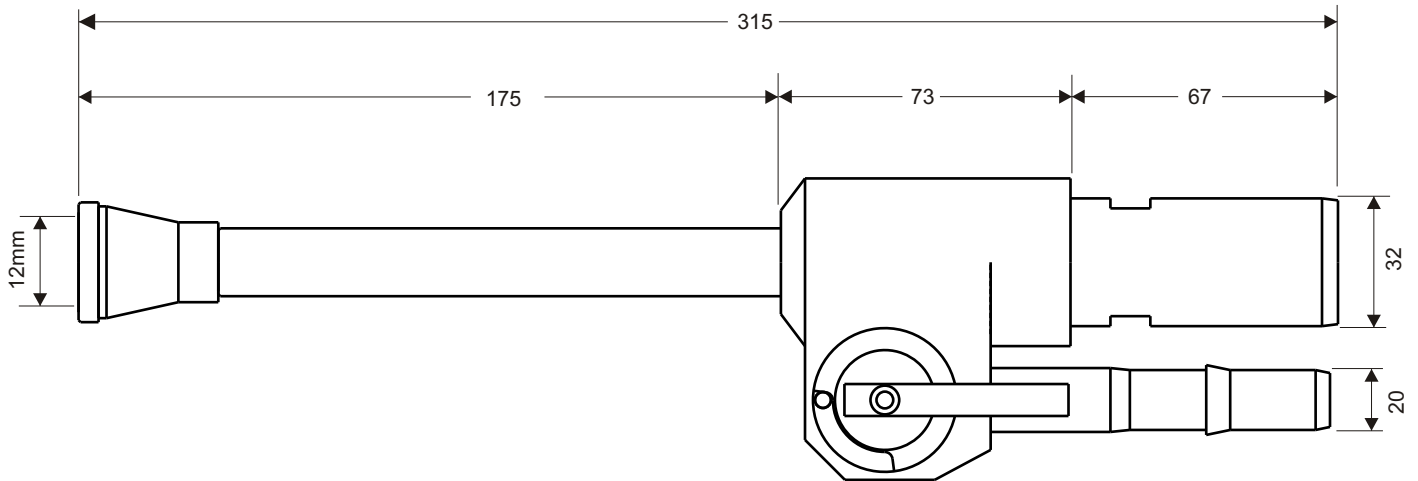
PAWAN W series suction guns are special purpose suction guns , specifily designed for handling high yarn volume like staple fiber tow.

PAWAN 1200W



SPECIFICATIONS

OPERATING PRESSURE :	6-10 BAR (kg/cm ²)
YARN SPEED RANGE :	upto 2000 mtr/min
YARN COUNT POSSIBILITIES :	20000 (dtex)
WORKING PRINCIPLE :	TWISTING
AIR SUPPLY CONNECTION :	20 mm ID HOSE
AIR EXHAUST CONNECTION :	32 mm ID HOSE
AIR CONSUMPTION :	m ³ /hr.
OVERALL DIMENSION :	315X76X42 mm
WEIGHT (WITHOUT HOSE) :	0.75 kg



Other modifications on request

REPLACEMENT FOR : TEIJIN