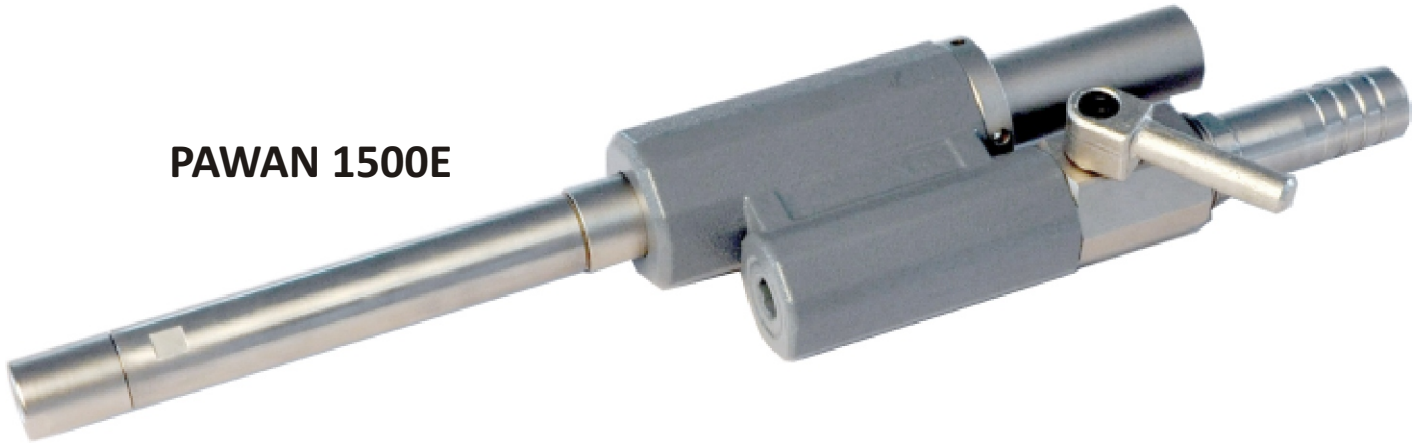


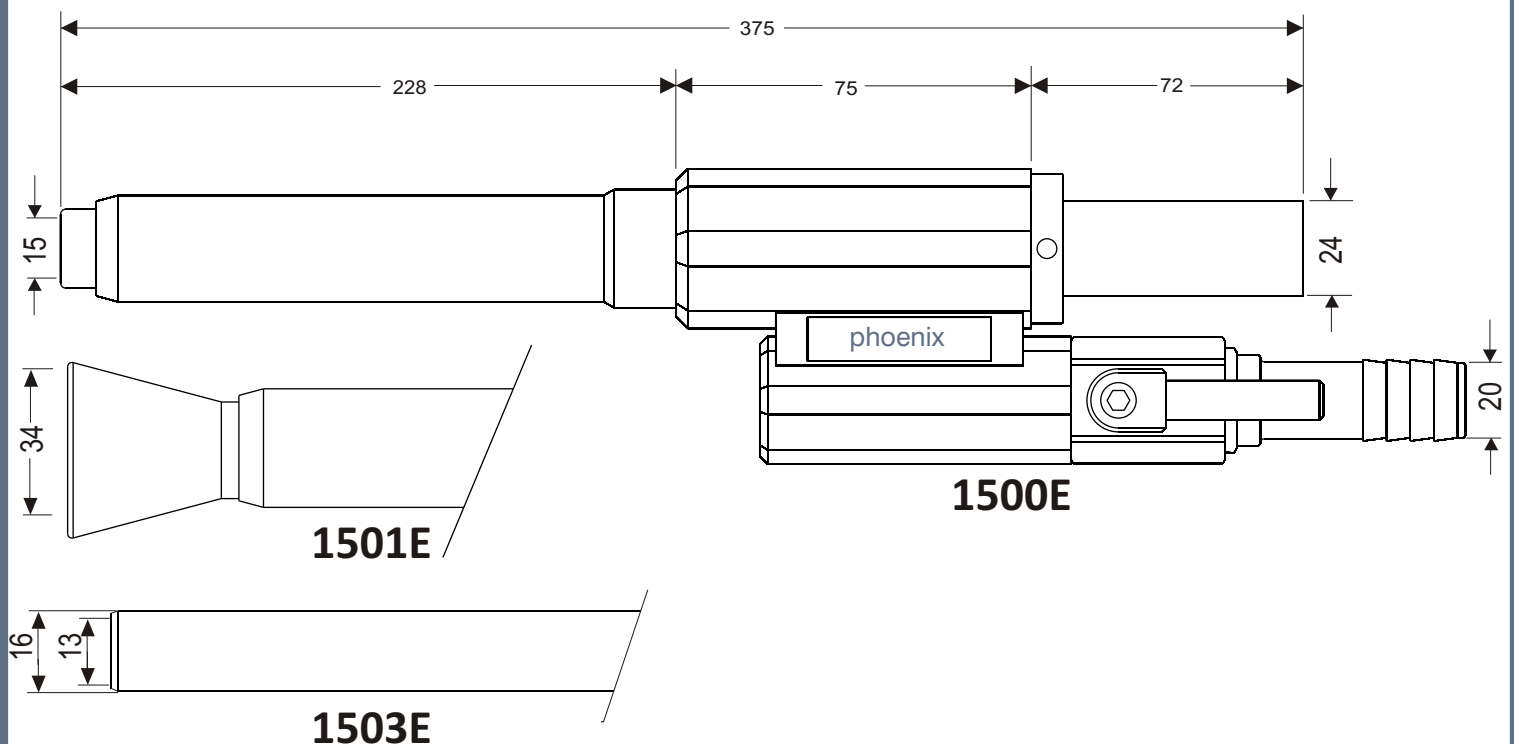
PAWAN E suction guns are non-twisting suction guns (no twist to yarn)
 Application LOY, DW, HDPE, Flat Tape Production

PAWAN 1500E



SPECIFICATIONS

OPERATING PRESSURE :	6-10 BAR (kg/cm ²)
YARN SPEED RANGE :	upto 3200 mtr/min
YARN COUNT POSSIBILITIES :	15000 (dtex)
WORKING PRINCIPLE :	NON-TWISTING
AIR SUPPLY CONNECTION :	20 mm ID HOSE
AIR EXHAUST CONNECTION :	24 mm ID HOSE
AIR CONSUMPTION :	30(BAR+1) m ³ /hr.
OVERALL DIMENSION :	370X75X42 mm
WEIGHT (WITHOUT HOSE) :	0.65 kg



Other modifications on request

REPLACEMENT FOR K600/578