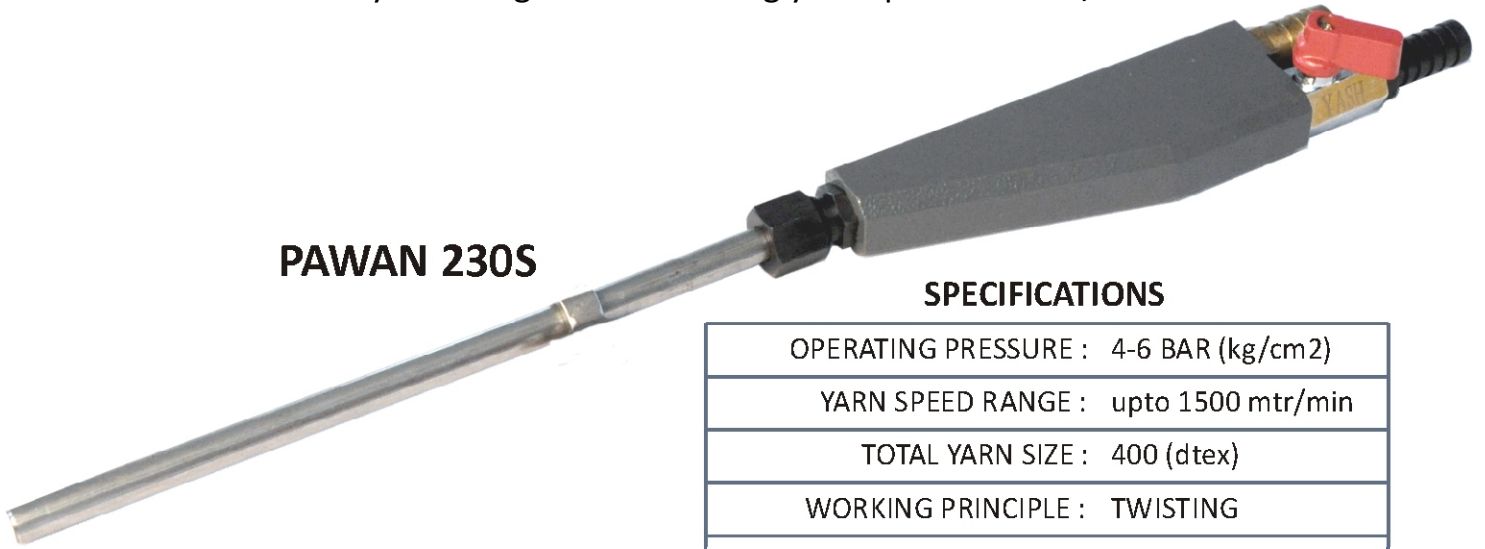


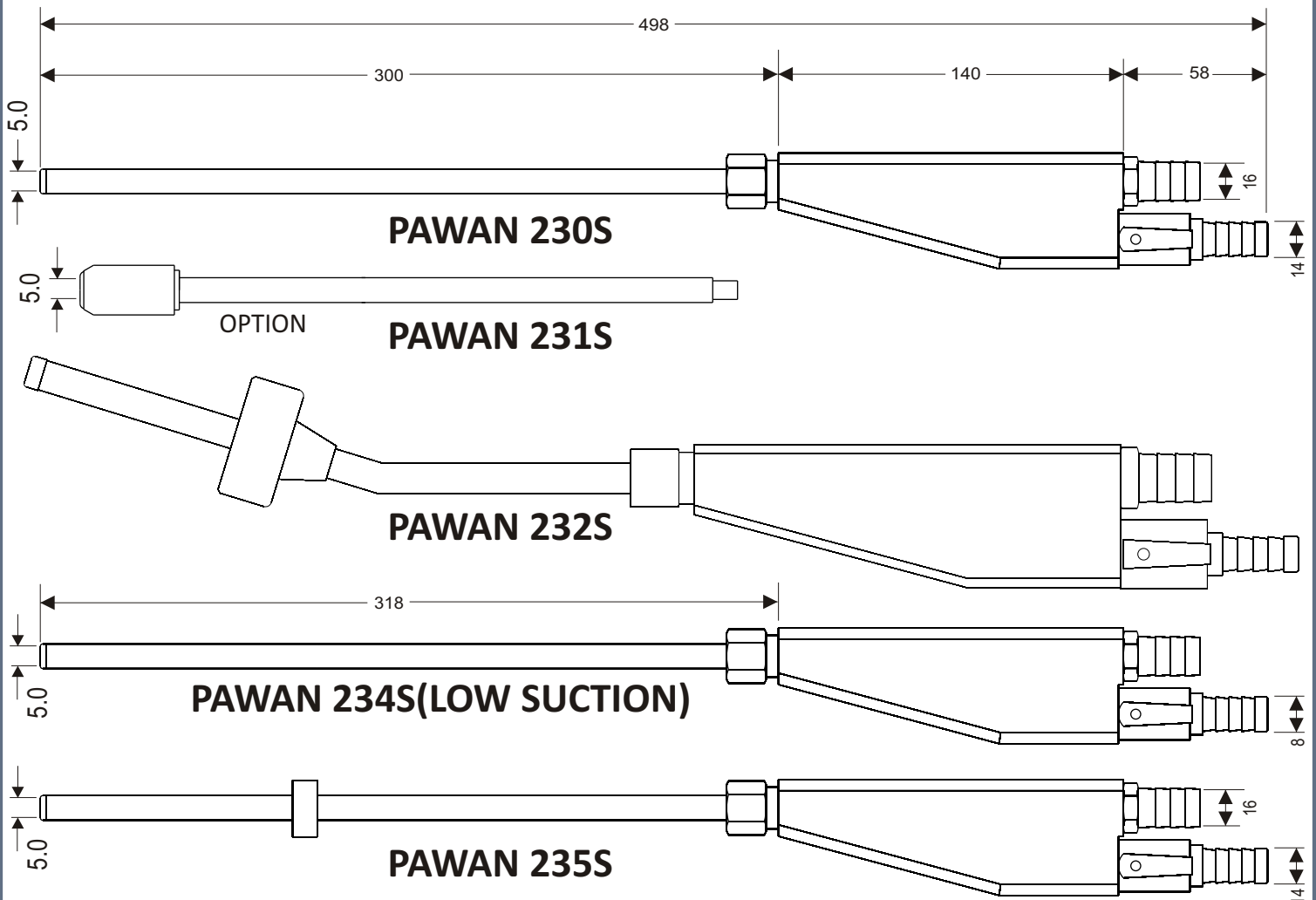
PAWAN S series suction guns are most commonly used in synthetic yarn industry for string-up & doffing on winders & yarn processing machines. They are designed for handling yarn upto 1500 mtr/min.



PAWAN 230S

SPECIFICATIONS

OPERATING PRESSURE :	4-6 BAR (kg/cm ²)
YARN SPEED RANGE :	upto 1500 mtr/min
TOTAL YARN SIZE :	400 (dtex)
WORKING PRINCIPLE :	TWISTING
AIR SUPPLY CONNECTION :	12 mm ID HOSE
AIR EXHAUST CONNECTION :	15 mm ID HOSE
AIR CONSUMPTION :	9.5(BAR+1) m ³ /hr.
OVERALL DIMENSION :	330X62X32 mm
WEIGHT(WITHOUT HOSE) :	0.60 kg



Other modifications on request

REPLACEMENT FOR : 100 HE