

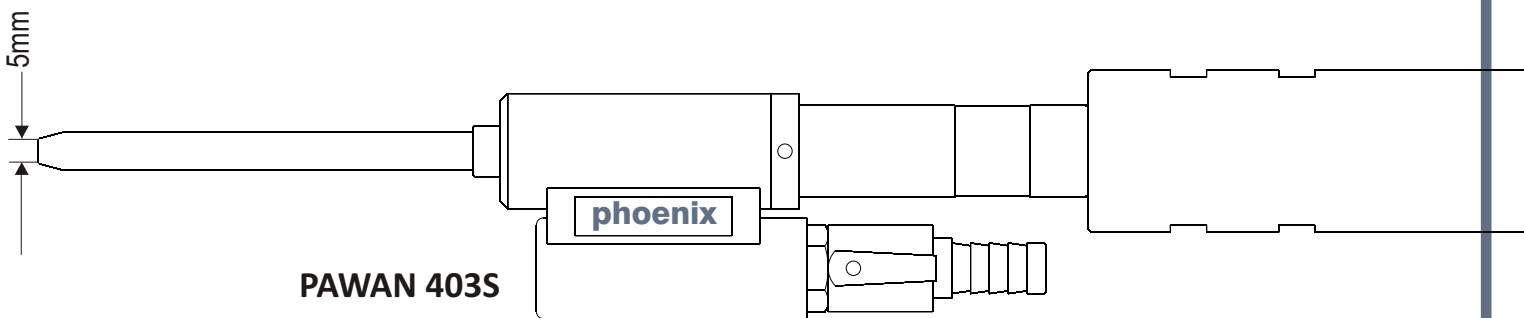
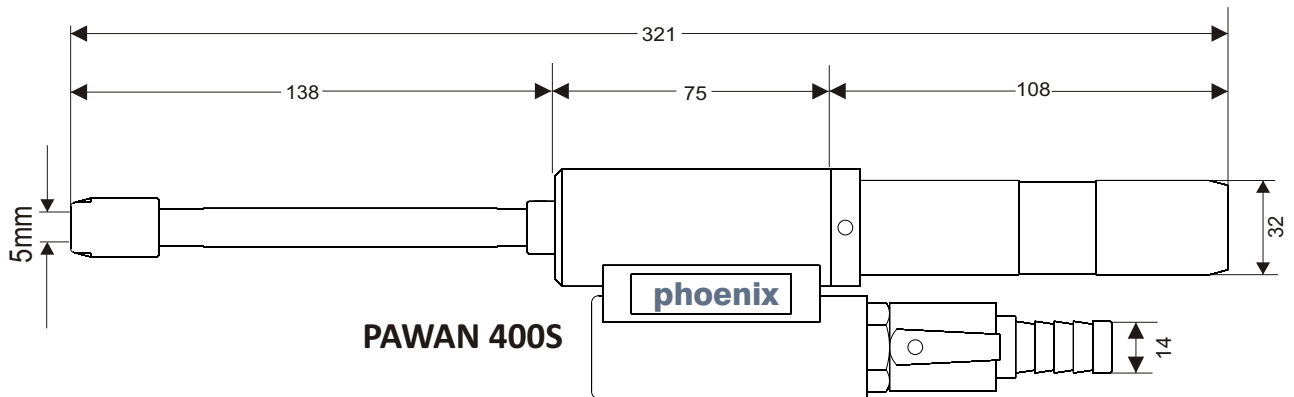
PAWAN S400 for - Draw Winding / Airtex / Low Speed Winding Operation



PAWAN 400S

SPECIFICATIONS

OPERATING PRESSURE :	4-6 BAR (kg/cm ²)
YARN SPEED RANGE :	upto 1500 mtr/min
YARN COUNT POSSIBILITIES :	400 (dtex)
WORKING PRINCIPLE :	TWISTING
AIR SUPPLY CONNECTION :	14 mm ID HOSE
AIR EXHAUST CONNECTION :	25 mm ID HOSE
AIR CONSUMPTION :	9.5(BAR+1) m ³ /hr.
OVERALL DIMENSION :	330X62X32 mm
WEIGHT (WITHOUT HOSE) :	0.60 kg



Other modifications on request