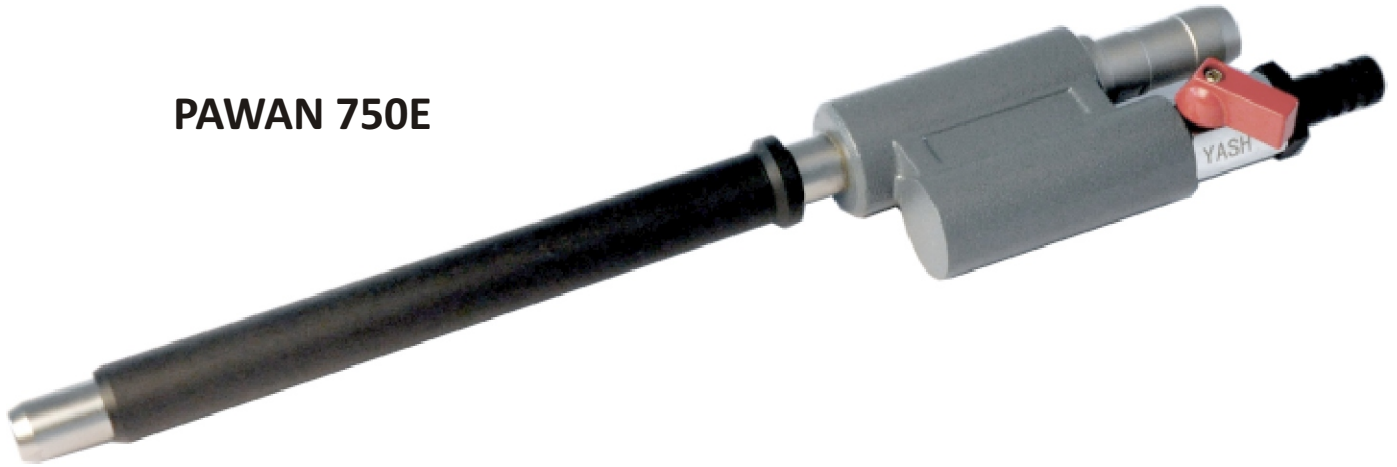


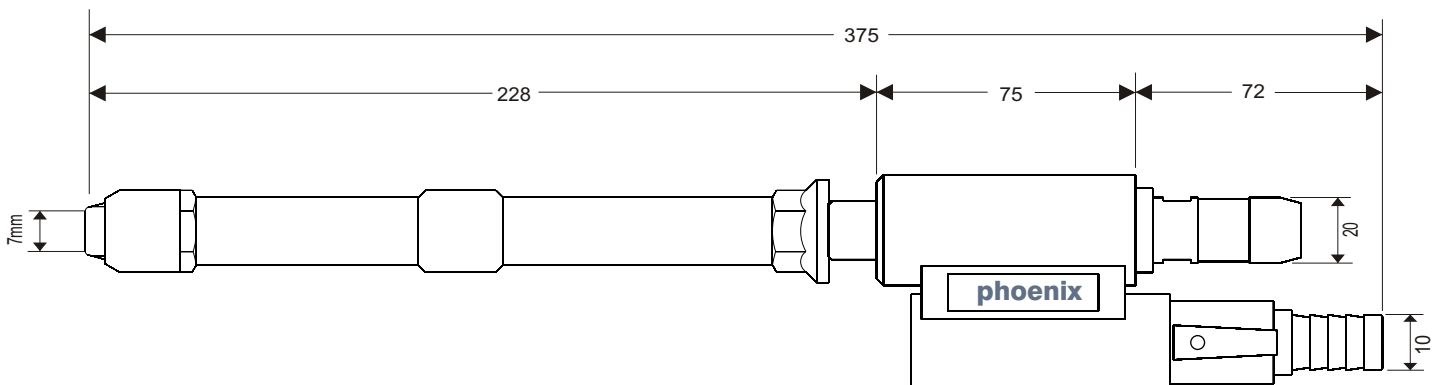
PAWAN E suction guns are non-twisting suction guns (no twist to yarn)
Application LOY, DW, HDPE, Flat Tape Production

PAWAN 750E



SPECIFICATIONS

OPERATING PRESSURE :	6-10 BAR (kg/cm ²)
YARN SPEED RANGE :	upto 2200 mtr/min
YARN COUNT POSSIBILITIES :	1500 (dtex)
WORKING PRINCIPLE :	NON-TWISTING
AIR SUPPLY CONNECTION :	10 mm ID HOSE
AIR EXHAUST CONNECTION :	20 mm ID HOSE
AIR CONSUMPTION :	11(BAR+1) m ³ /hr.
OVERALL DIMENSION :	375x62x32 mm
WEIGHT (WITHOUT HOSE) :	0.65 kg



Other modifications on request