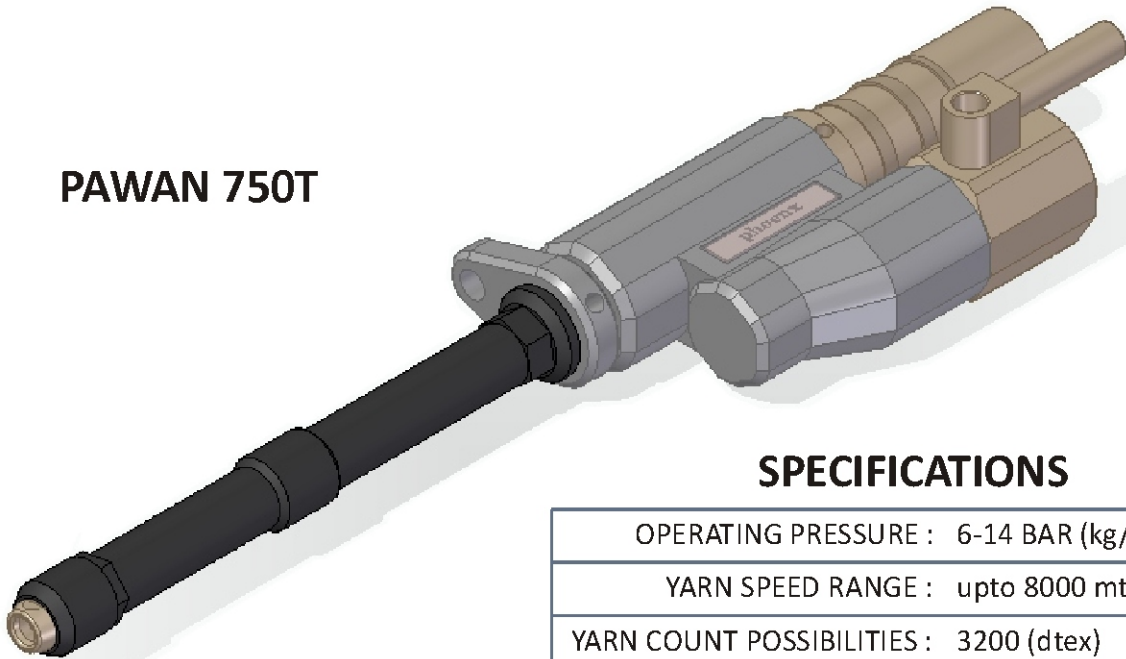


PAWAN T series suction guns are designed to handle yarns at very high speeds (upto 8000 mtr/min) for POY / FDY application. Various models available for handling variety of yarn sizes.

## PAWAN 750T



### SPECIFICATIONS

OPERATING PRESSURE :	6-14 BAR (kg/cm <sup>2</sup> )
YARN SPEED RANGE :	upto 8000 mtr/min
YARN COUNT POSSIBILITIES :	3200 (dtex)
WORKING PRINCIPLE :	TWISTING
AIR SUPPLY CONNECTION :	25 mm ID HOSE
AIR EXHAUST CONNECTION :	32 mm ID HOSE
AIR CONSUMPTION :	52X(BAR+1) m <sup>3</sup> /hr.
OVERALL DIMENSION :	402X85X42 mm
WEIGHT (WITHOUT HOSE) :	1.30 kg

