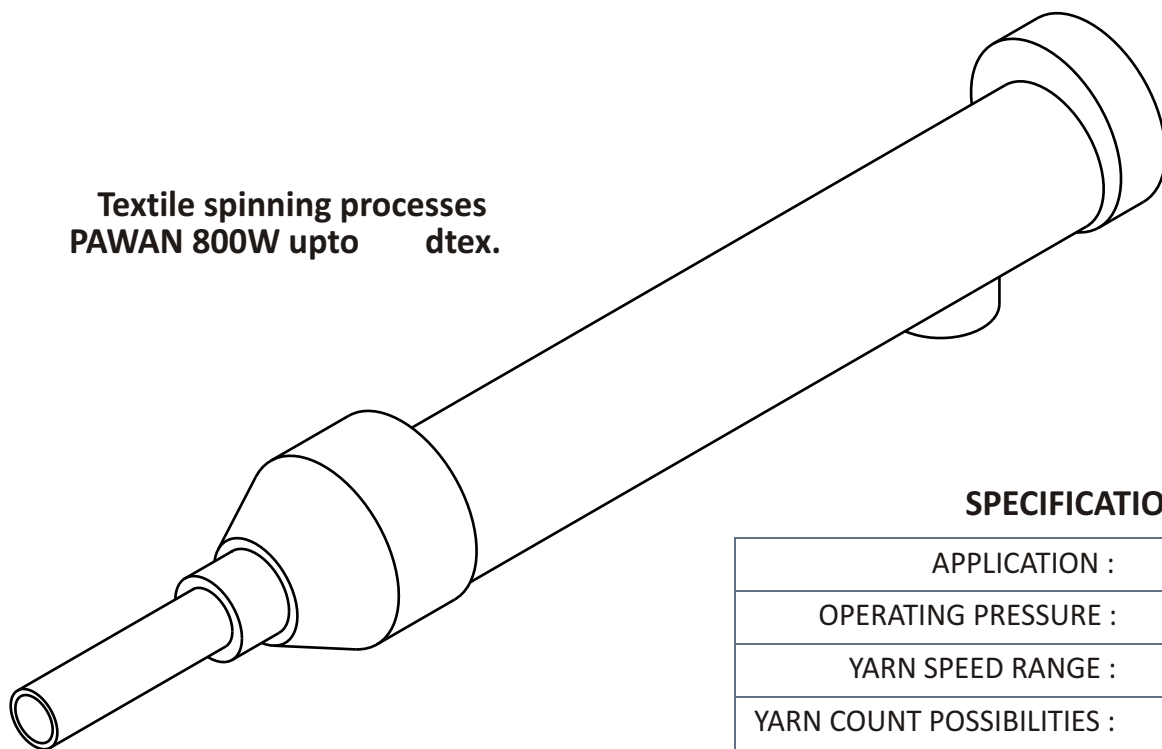


Textile spinning processes
PAWAN 800W upto dtex.



SPECIFICATION

APPLICATION :
OPERATING PRESSURE :
YARN SPEED RANGE :
YARN COUNT POSSIBILITIES :
WORKING PRINCIPLE :
AIR SUPPLY CONNECTION : 1/4"NPT
AIR EXHAUST CONNECTION : 8.0mm
COMPACT BALL VALVE : -
AIR CONSUMPTION : (BAR+1)m3/hr.
OVERALL DIMENSION : 366X54X54mm
WEIGHT(WITHOUT HOSE) :
REPLACEMENT FOR :

