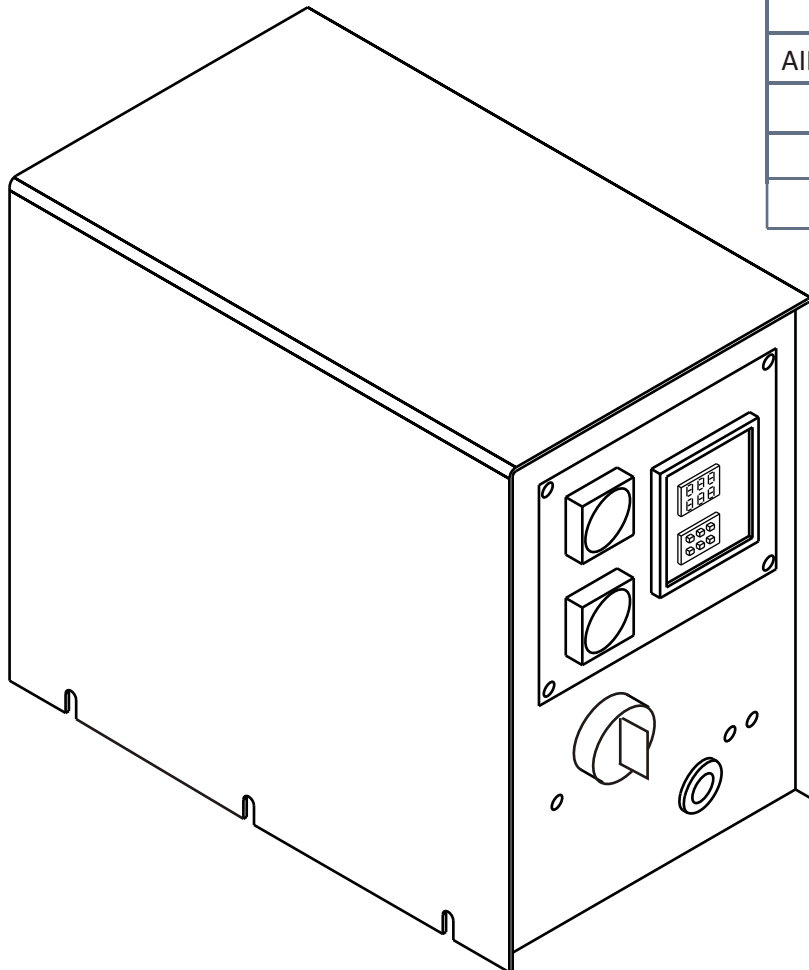


Yarn Suction units are useful for yarn stripping. Can be operated 3 modes.

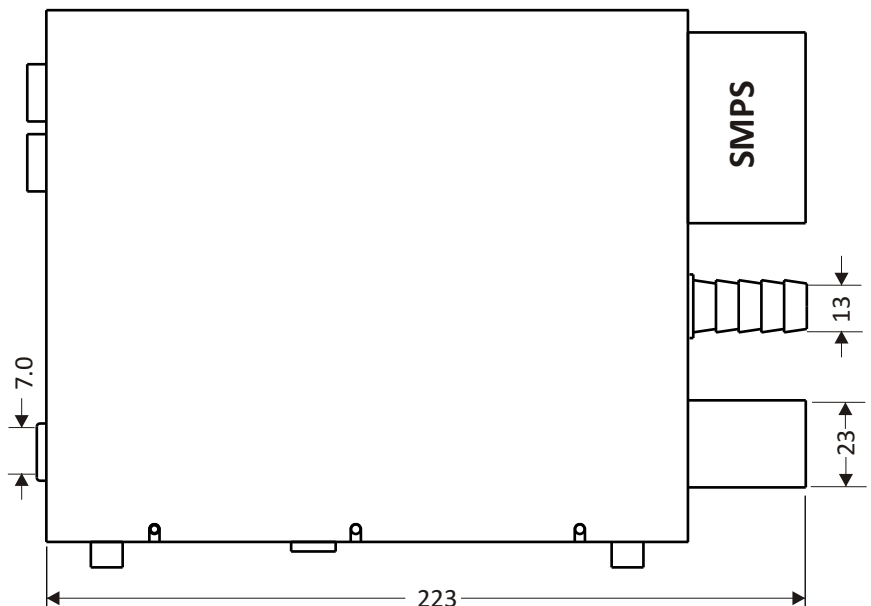
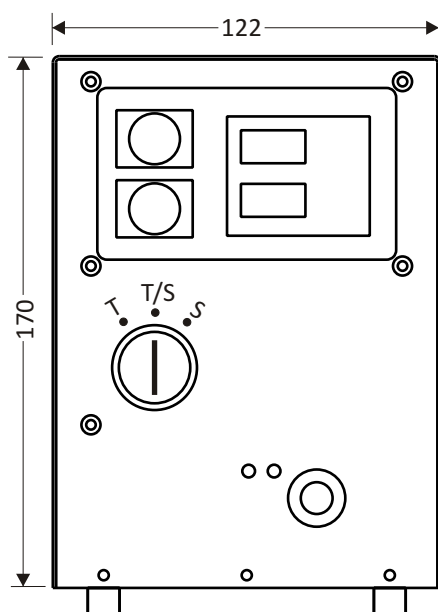
- > Timer Mode - Suction till present duration.
- > Sensor Mode - Suction till yarn present.
- > Timer Suction Mode - Both function effective.

SPECIFICATIONS

OPERATING PRESSURE :	4-6 BAR (kg/cm ²)
ELECTRIC SUPPLY :	240 V AC / 24 V DC
AIR INLET CONNECTION :	13 mm ID HOSE
AIR EXHAUST CONNECTION :	23 mm ID HOSE
SUCTION CAPACITY :	15000 dtex.
OVERALL DIMENSION :	122X170X223 mm
WEIGHT :	4.5 kg



A120TS



Other modifications on request