

Yarn Suction Device With Timer & Sensor

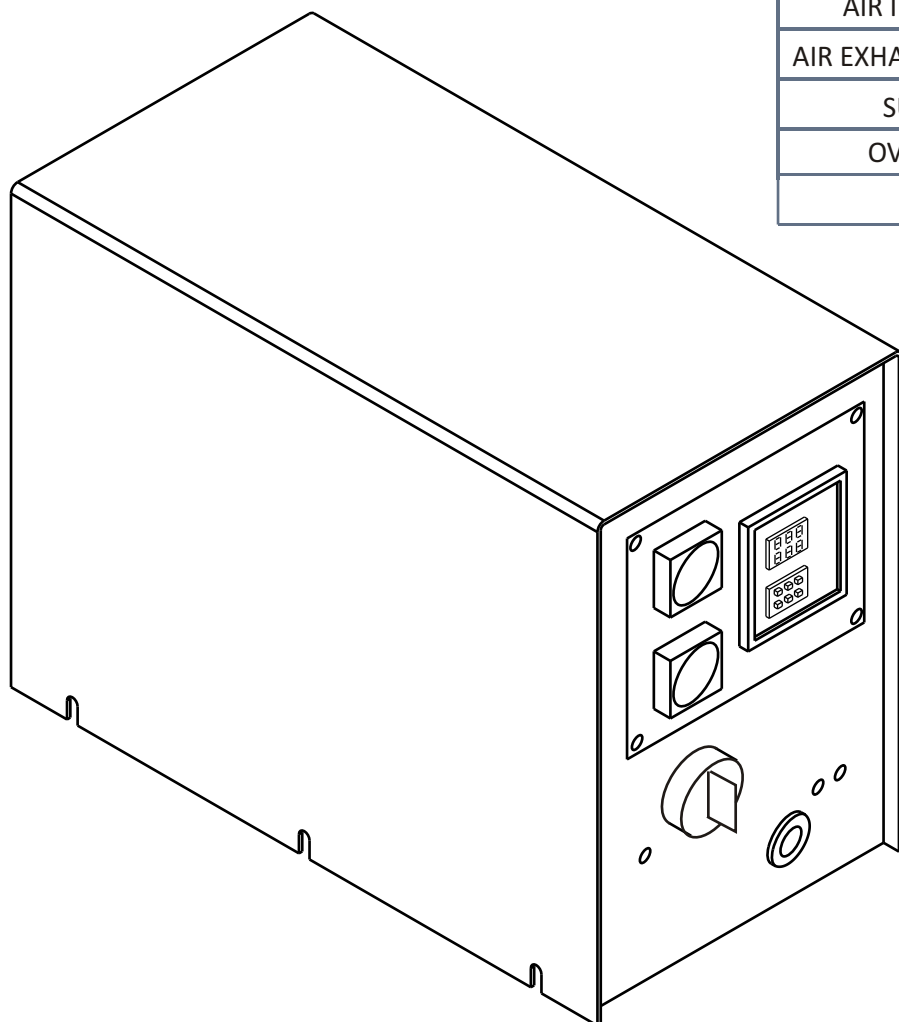
A140TS

Yarn Suction units are useful for yarn stripping. Can be operated 3 modes.

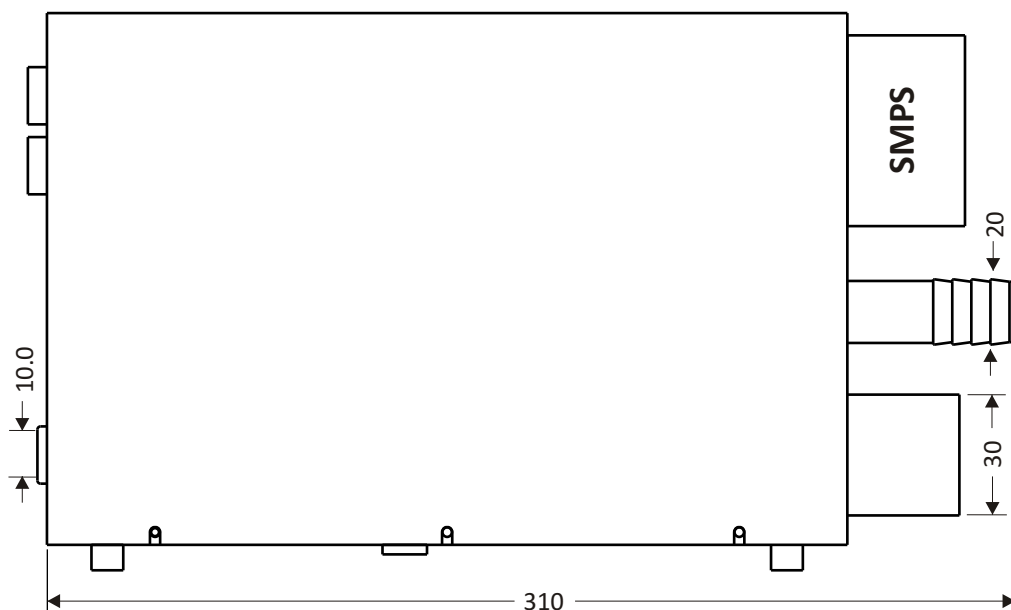
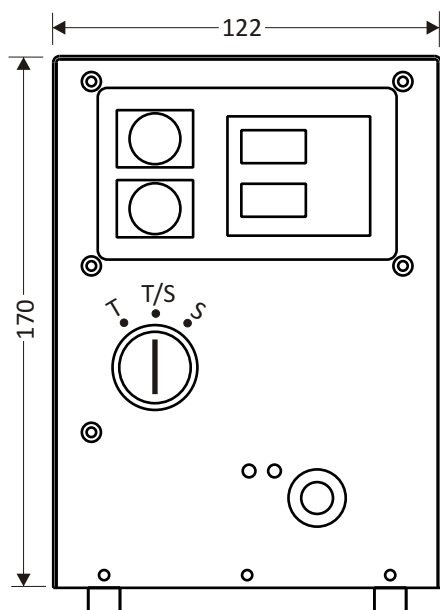
- > Timer Mode - Suction till present duration.
- > Sensor Mode - Suction till yarn present.
- > Timer Suction Mode - Both function effective.

SPECIFICATIONS

| |
|--|
| OPERATING PRESSURE : 4-6 BAR (kg/cm ²) |
| ELECTRIC SUPPLY : 240 V AC / 24 V DC |
| AIR INLET CONNECTION : 20 mm ID HOSE |
| AIR EXHAUST CONNECTION : 30 mm ID HOSE |
| SUCTION CAPACITY : 35000 dtex. |
| OVERALL DIMENSION : 122X170X310 mm |
| WEIGHT : 5.4 kg |



A140TS



Other modifications on request