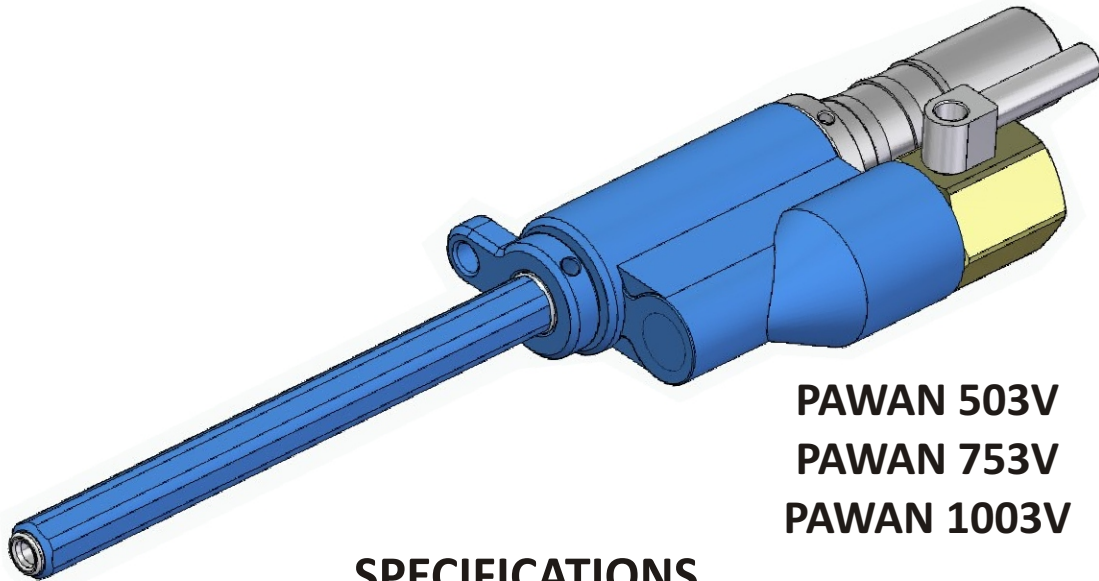


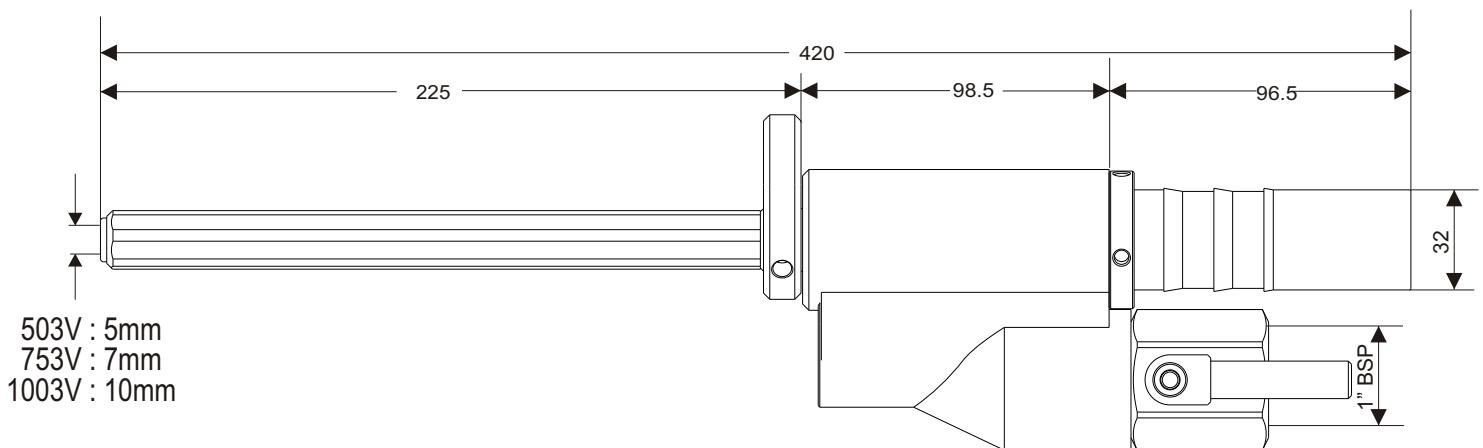
PAWAN V series suction guns are redesigned PAWAN T suction guns for POY / FDY application. With modified nozzle + chamber + exhaust profile combination the performance is improved by 10 to 15% . Pawan V suction gun produces 10 to 15% more yarn tension for same pressure & air consumption compared to Pawan T.



**PAWAN 503V**  
**PAWAN 753V**  
**PAWAN 1003V**

## SPECIFICATIONS

TYPE OF SUCTION GUN	V503	V753	V1003
APPLICATION	POY/FDY		
OPERATING PRESSURE	6-14 BAR (kg/cm <sup>2</sup> )		
YARN SPEED RANGE	8000 mtr/min		
YARN COUNT POSSIBILITIES	3000 (dtex)	6000 (dtex)	10000 (dtex)
WORKING PRINCIPLE	TWISTING		
AIR SUPPLY CONNECTION	25 mm ID HOSE		
AIR EXHAUST CONNECTION	32 mm ID HOSE		
AIR CONSUMPTION	58(BAR+1) m <sup>3</sup> /hr.		
OVERALL DIMENSION	420X87X45 mm		
WEIGHT(WITHOUT HOSE)	1.3 kg	1.4 kg	1.5 kg



Other modifications on request

REPLACEMENT FOR : HEBERLEIN HS5-3 / HS7-3/HS10-3