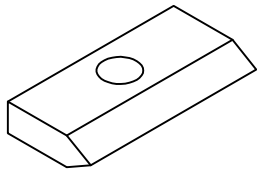
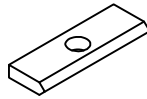


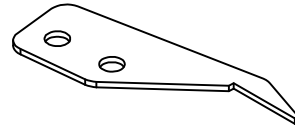
FOR OTHER TEXTILE CUTTING APPLICATION



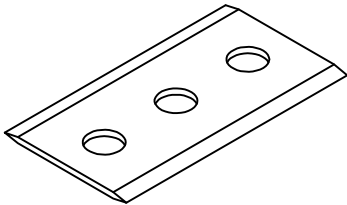
○ 7602
BARMAG - SDW10



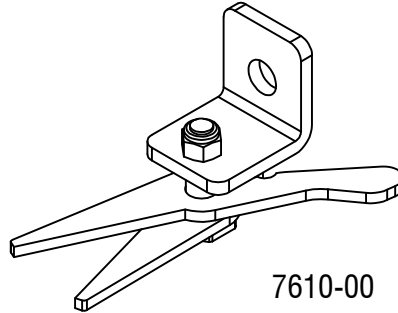
○ 7604(7653)
BARMAG ES14



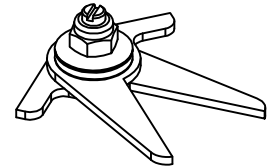
○ 7607
BARMAG CRAFT



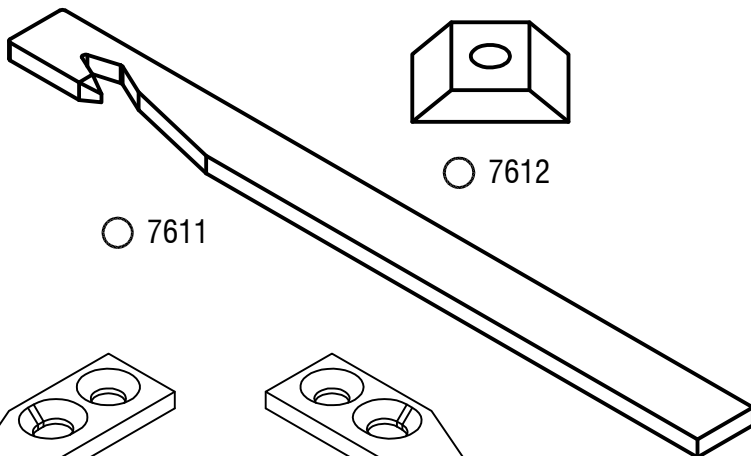
● 7609
PIRN WINDING



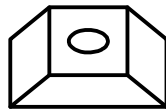
7610-00
TMT



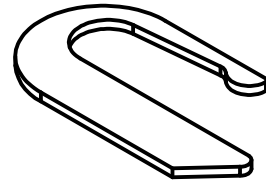
7614-00
BARMAG



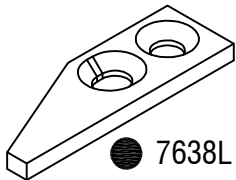
○ 7611



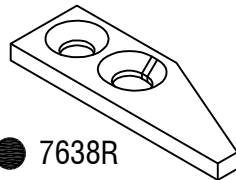
○ 7612



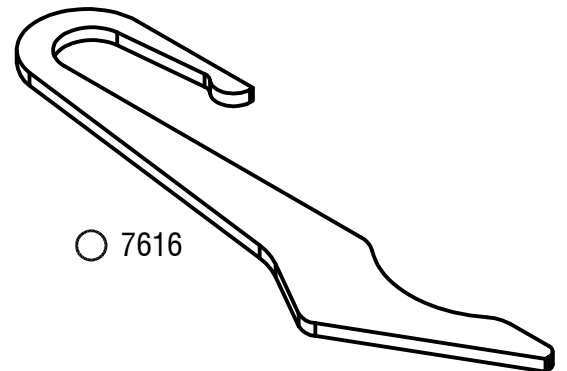
○ 7615



● 7638L



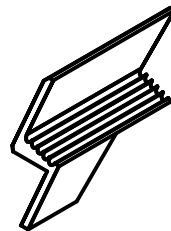
● 7638R



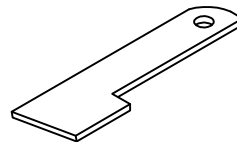
○ 7616



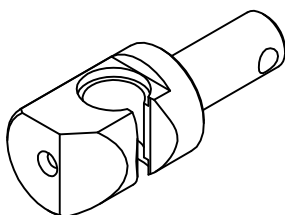
○ 7621
DYNAFIL - ZELLWEGER
CUCCON WINDING



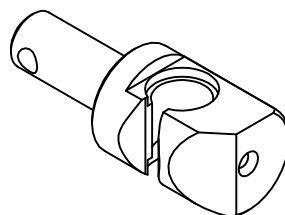
○ 7645
1209/01
A-90-7



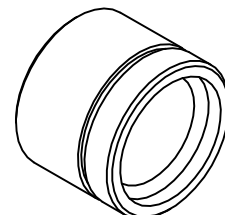
○ 7646
1208



○ 7633R



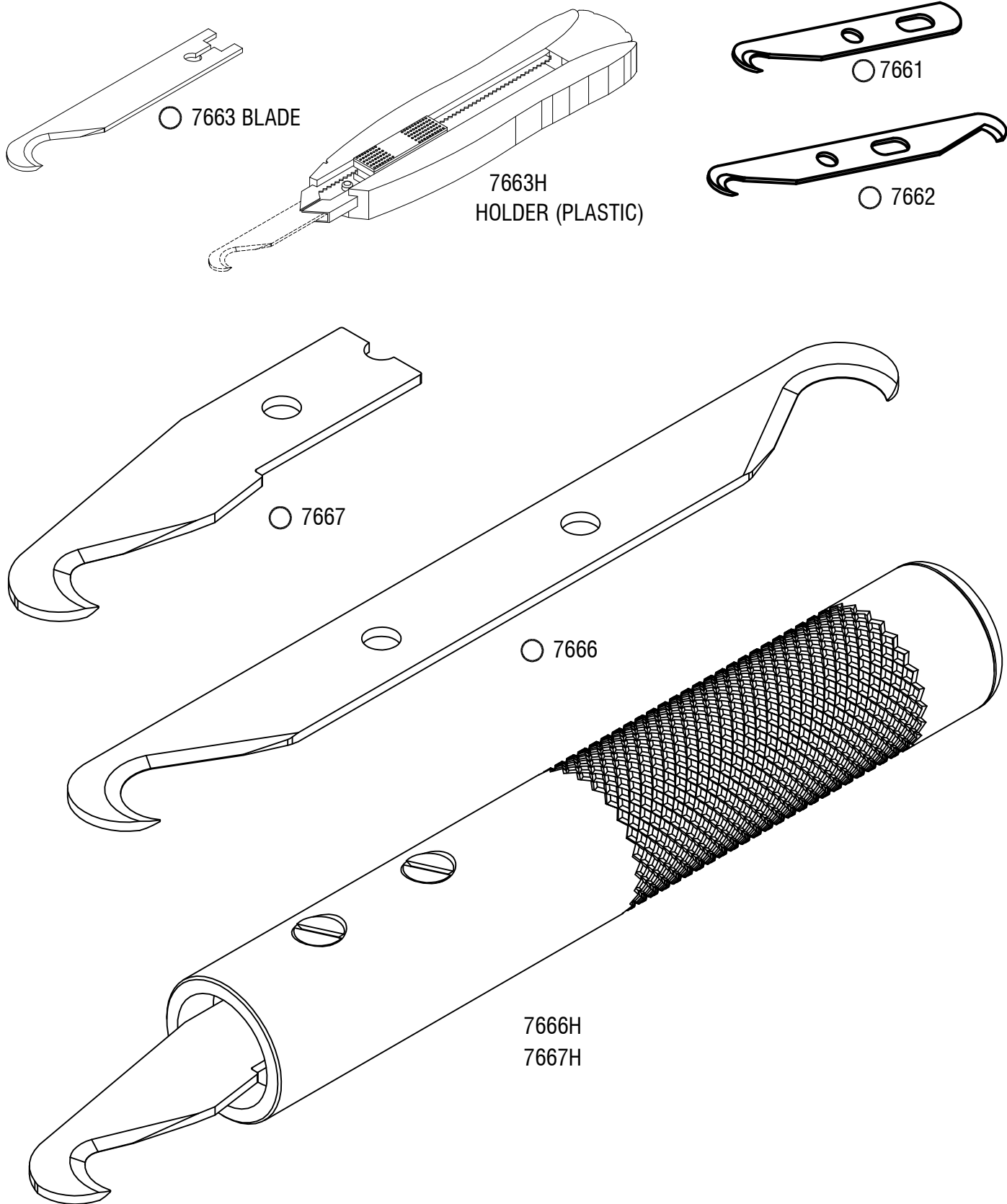
○ 7633L



○ 7634

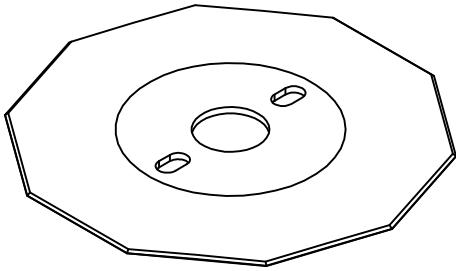
MATERIAL CODE : ● SOLID CARBIDE , ○ HSS, ◐ BRAZED CARBIDE , ► ZIRCONIA CERAMIC ⊙ TIN COATING

FOR WRAP CUTTING

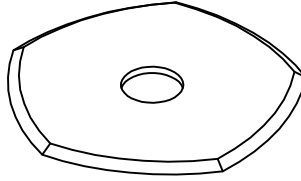


MATERIAL CODE : ● SOLID CARBIDE , ○ HSS, ◐ BRAZED CARBIDE , ▶ ZIRCONIA CERAMIC ⊙ TiN COATING

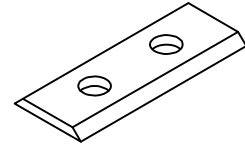
FOR FABRIC CUTTING APPLICATION



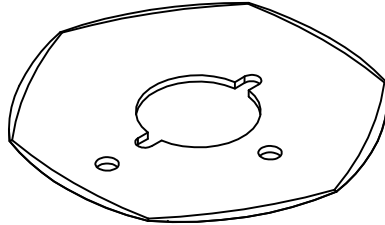
○ 7721



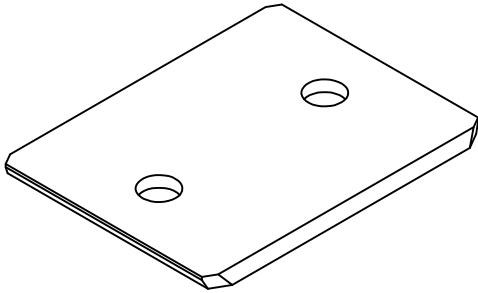
○ 7723



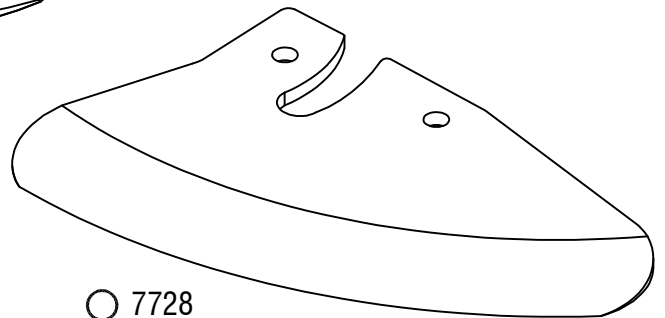
● 7733



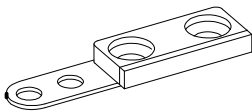
○ 7729



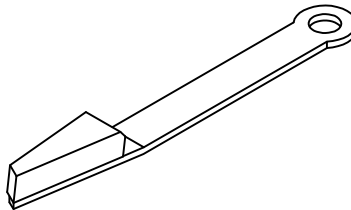
○ 7724



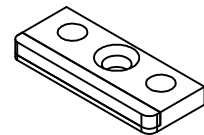
○ 7728



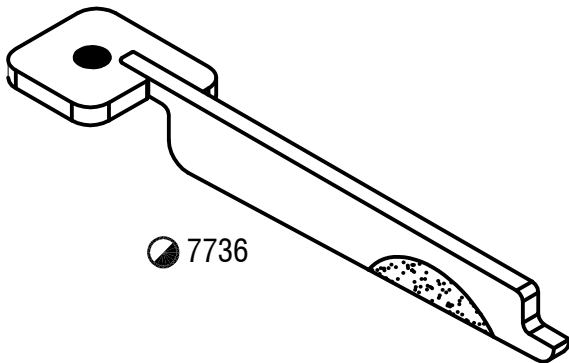
● 7731
GERBER



● 7732



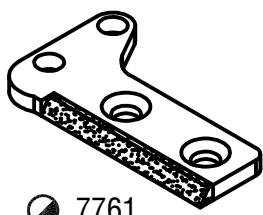
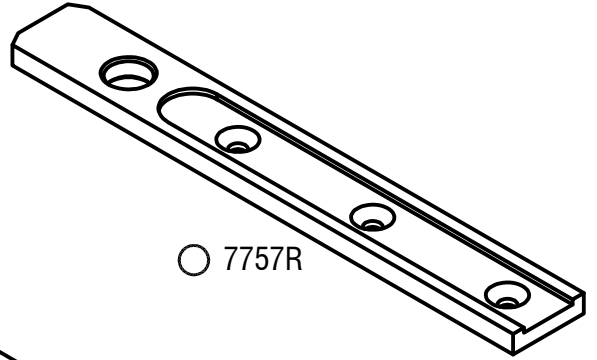
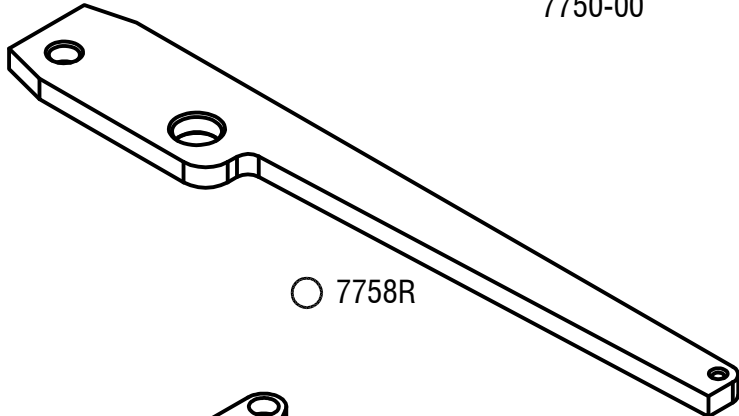
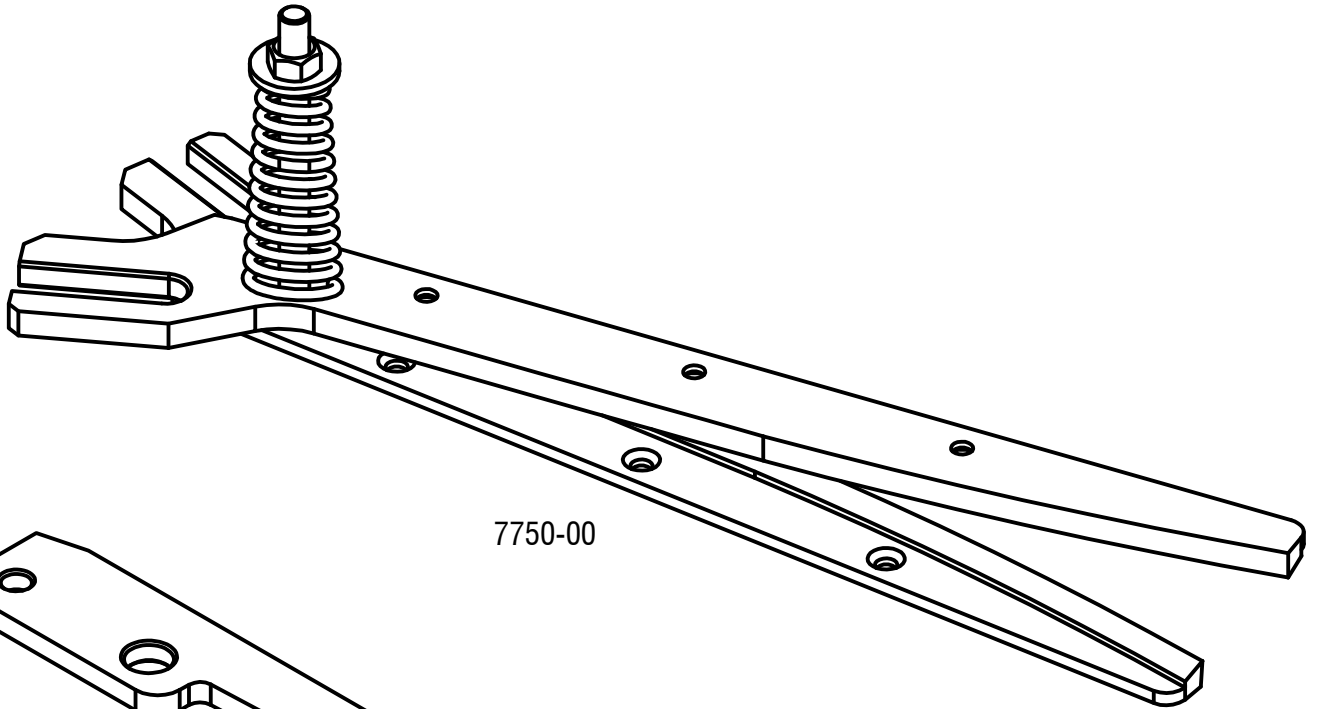
● 7734



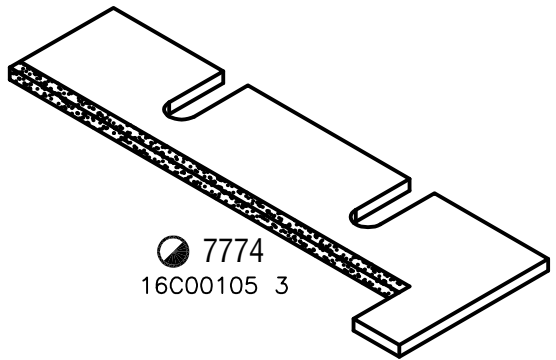
● 7736

MATERIAL CODE : ● SOLID CARBIDE , ○ HSS , ◐ BRAZED CARBIDE , ► ZIRCONIA CERAMIC ⊙ TIN COATING

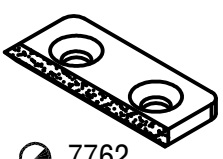
FOR TEXTILE CUTTING APPLICATION



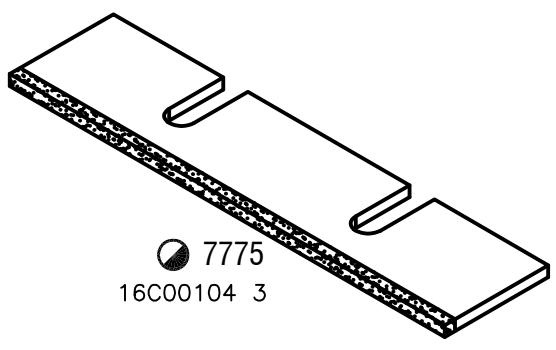
64 COT001 2



16C00105 3



64 COT002 1



16C00104 3



FD150 22 005 3



23 YF1 562 2

MATERIAL CODE : ● SOLID CARBIDE , ○ HSS, ◐ BRAZED CARBIDE , ► ZIRCONIA CERAMIC ⊙ TIN COATING