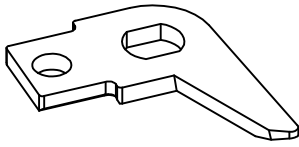
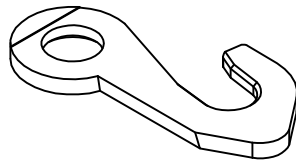


# FOR DORNIER RAPIER

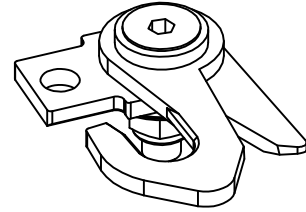
## DORNIER 3700 - WEFT CUTTER



● 3701  
472054

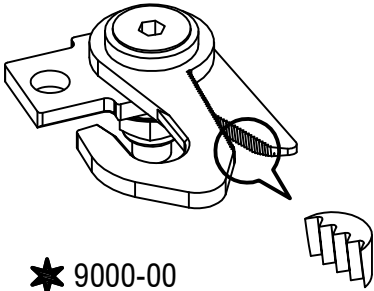


● 3702  
471105

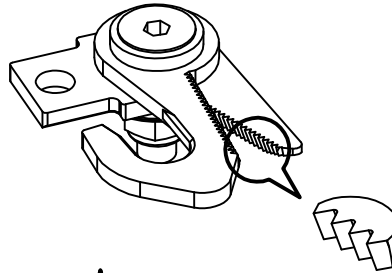


3700-00  
712525  
ASSEMBLY

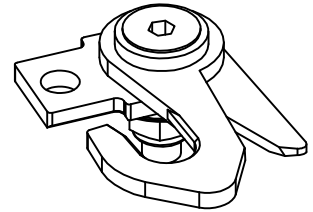
## DORNIER 9000/9100/9200 - WEFT CUTTER SERRATED



★ 9000-00  
7D SHARP X 0.5 mm

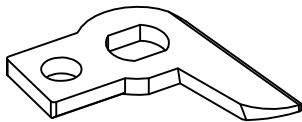


★ 9100-00  
20D SHARP X 0.8 mm

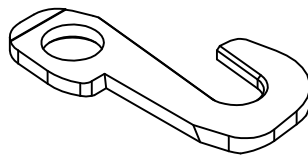


★ 9200-00  
20D SHARP

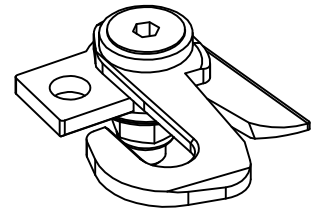
## DORNIER 3790 - WEFT CUTTER



● 3791  
346822/d

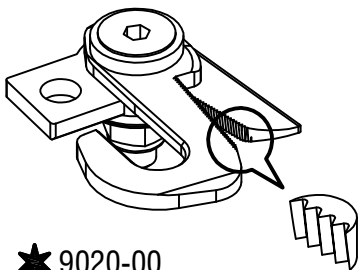


● 3792  
346823/c

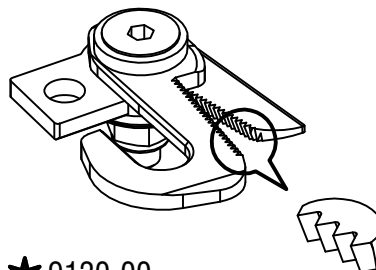


3790-00  
72824D  
ASSEMBLY

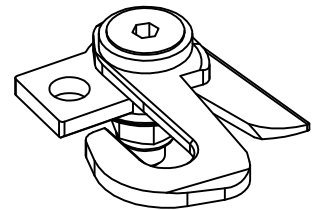
## DORNIER 9020/9120/9220 - WEFT CUTTER SERRATED



★ 9020-00  
7D SHARP X 0.5 mm



★ 9120-00  
20D SHARP X 0.8 mm

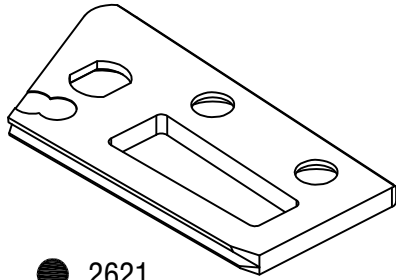


★ 9220-00  
20D SHARP

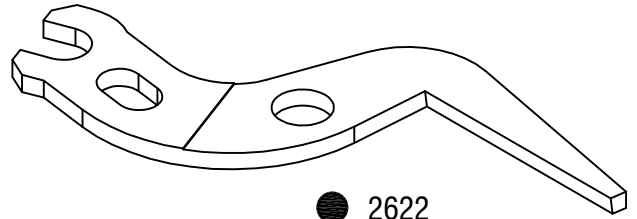
MATERIAL CODE : ● SOLID CARBIDE , ◐ BRAZED CARBIDE , ★ SPECIAL APPLICATION, ● WITH HARDWARE

# FOR DORNIER AIR JET & RAPIER

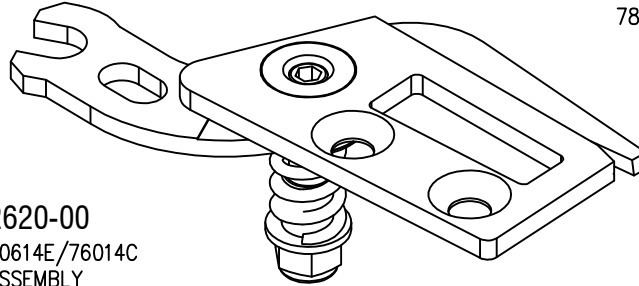
## DORNIER 2620 - WEFT CUTTER



● 2621  
789521/71575

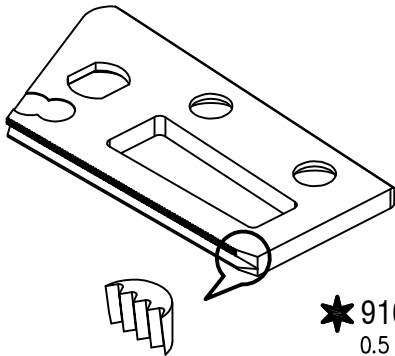


● 2622  
789522/70614C/71576

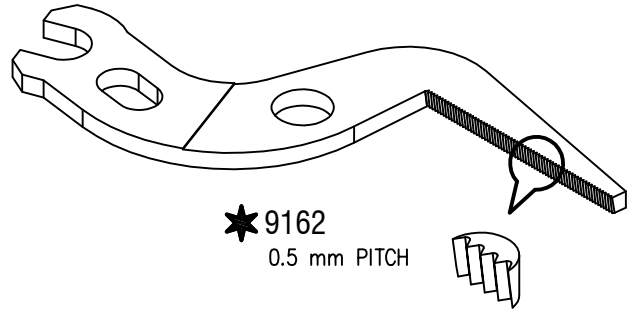


2620-00  
70614E/76014C  
ASSEMBLY

## DORNIER 9160 - WEFT CUTTER SERRATED

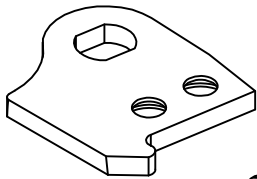


\* 9161  
0.5 mm PITCH

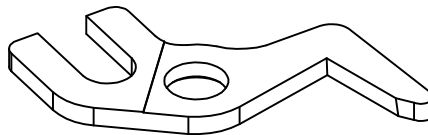


\* 9162  
0.5 mm PITCH

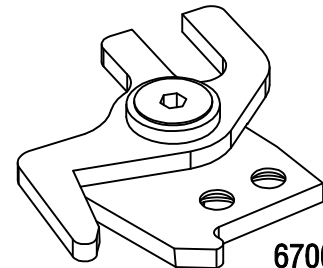
## DORNIER 6700 - WEFT CUTTER



● 6701  
326637/70340L



● 6702  
326638/73040M

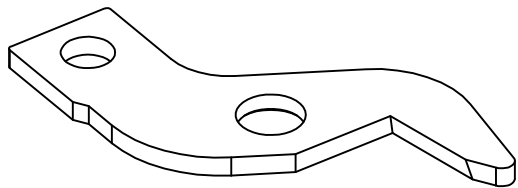


6700-00  
ASSEMBLY

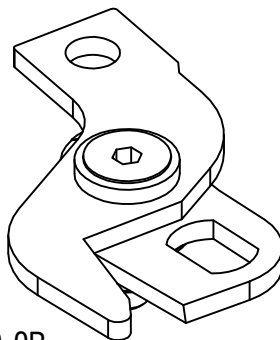
MATERIAL CODE : ● SOLID CARBIDE , ◐ BRAZED CARBIDE , \* SPECIAL APPLICATION, ● WITH HARDWARE

# FOR DORNIER AIR JET & RAPIER

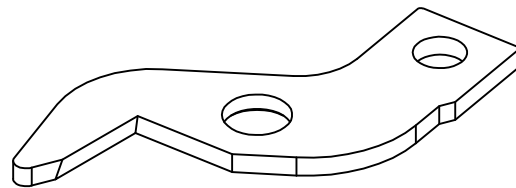
## DORNIER 3710 - SELVEDGE CUTTER RH & LH



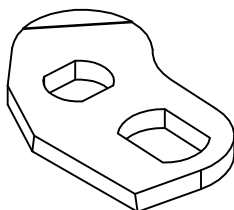
● 3712 R  
471188



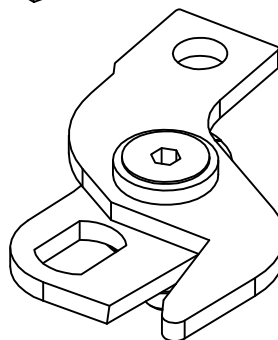
3710-OR  
705804  
ASSEMBLY RH



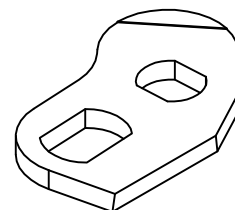
● 3712 L  
471198



● 3713 R  
322552

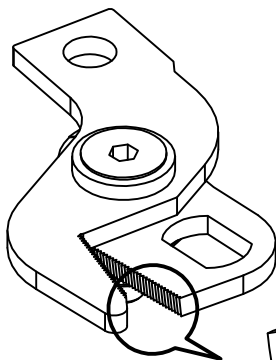


3710-OL  
705805  
ASSEMBLY LH

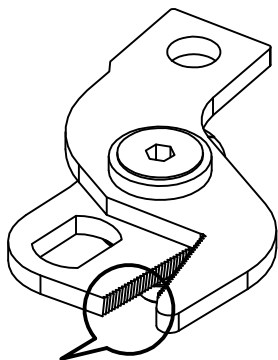


● 3713 L  
322553

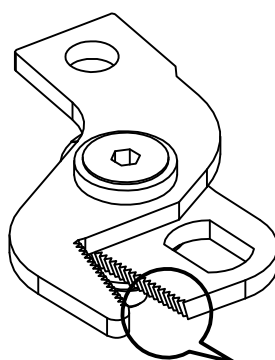
## DORNIER 9010/9110/9210 - SELVEDGE CUTTER RH & LH SERRATED



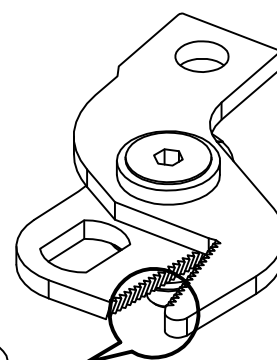
\* 9010-OR  
7D SHARP X 0.5 mm



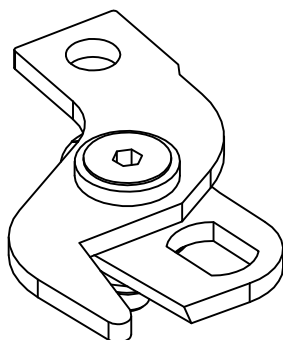
\* 9010-OL  
7D SHARP X 0.5 mm



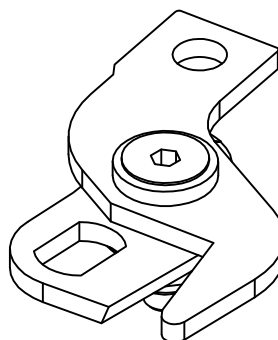
\* 9110-OR  
20D SHARP X 0.8 mm



\* 9110-OL  
20D SHARP X 0.8 mm



\* 9210-OR  
20D SHARP

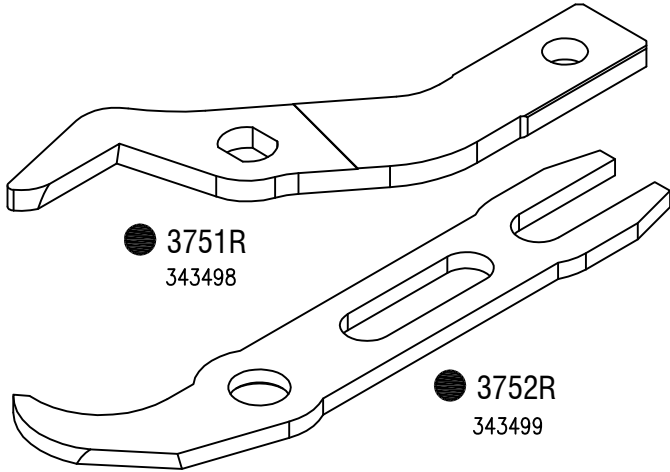


\* 9210-OL  
20D SHARP

MATERIAL CODE : ● SOLID CARBIDE , ◐ BRAZED CARBIDE , \* SPECIAL APPLICATION , ⊕ WITH HARDWARE

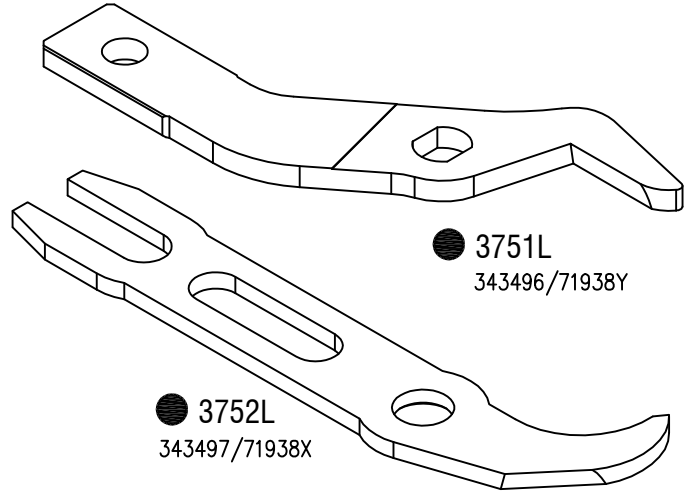
# FOR DORNIER AIR JET & RAPIER

## DORNIER 3750 - SELVEDGE CUTTER RH & LH



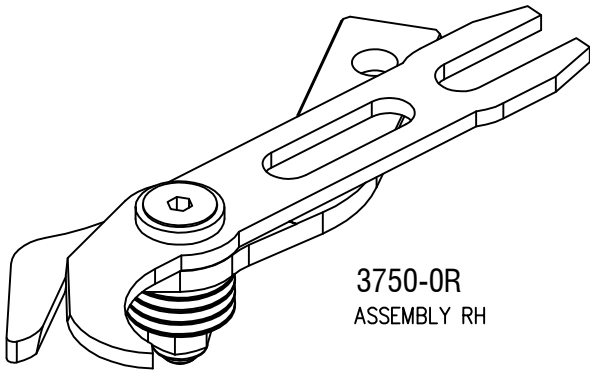
● 3751R  
343498

● 3752R  
343499

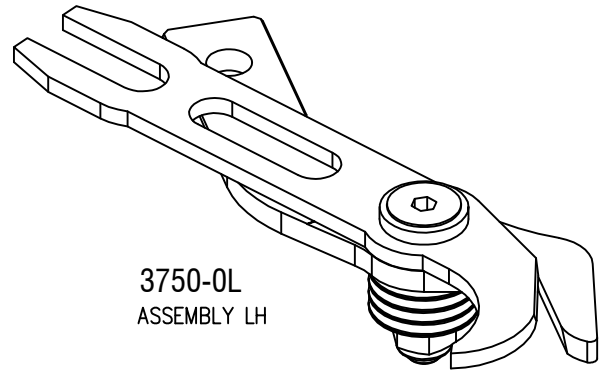


● 3751L  
343496/71938Y

● 3752L  
343497/71938X



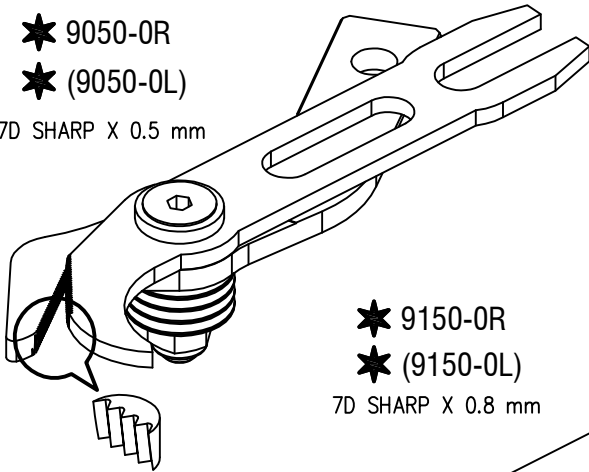
3750-OR  
ASSEMBLY RH



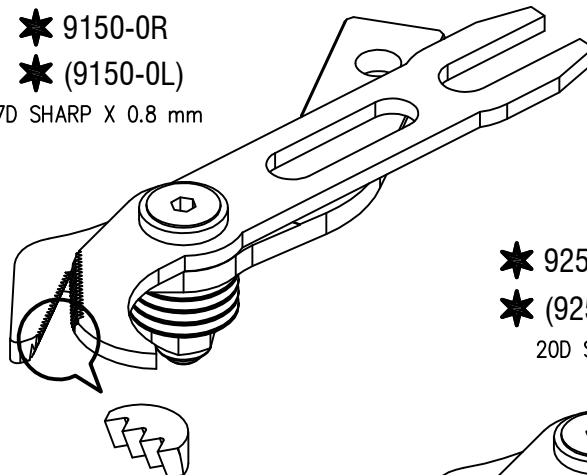
3750-OL  
ASSEMBLY LH

## DORNIER 9050/9150/9250 - SELVEDGE CUTTER RH & LH SERRATED

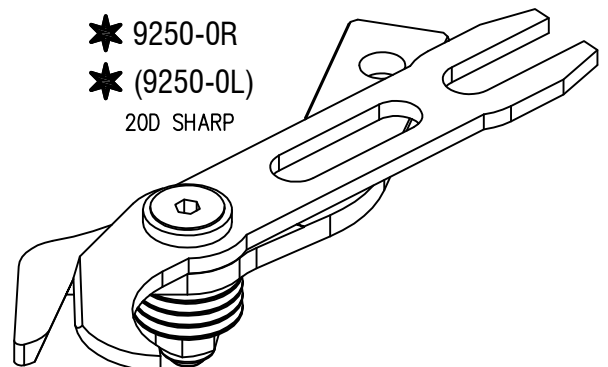
★ 9050-OR  
★ (9050-OL)  
7D SHARP X 0.5 mm



★ 9150-OR  
★ (9150-OL)  
7D SHARP X 0.8 mm



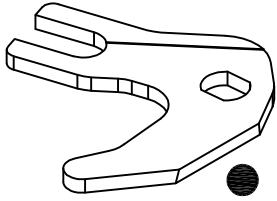
★ 9250-OR  
★ (9250-OL)  
20D SHARP



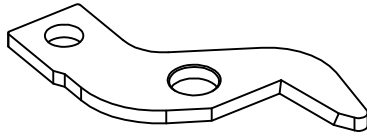
MATERIAL CODE : ● SOLID CARBIDE , ◐ BRAZED CARBIDE , ★ SPECIAL APPLICATION , ⊕ WITH HARDWARE

# FOR DORNIER AIR JET & RAPIER

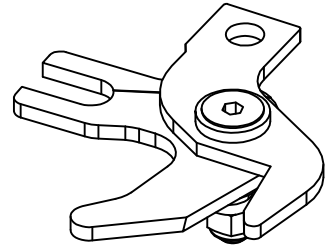
## DORNIER 2610 - MOTORIZED SELVEDGE CUTTER



● 2611  
342273  
70060M

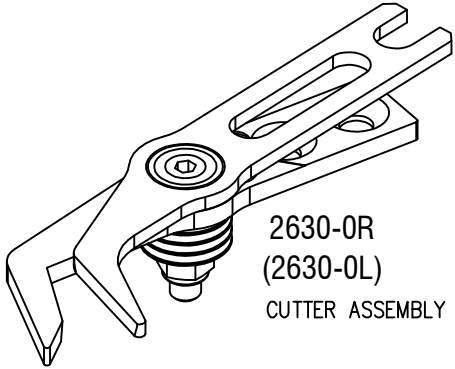


● 2612  
471198



2610-00 CUTTER ASSEMBLY  
70679B

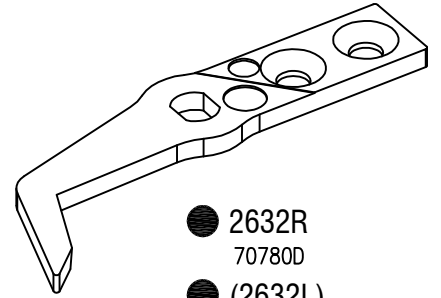
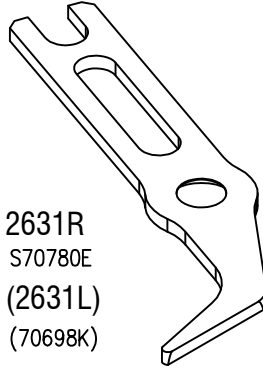
## DORNIER 2630 - MOTORIZED SELVEDGE CUTTER RH & LH



2630-0R  
(2630-0L)  
CUTTER ASSEMBLY

● 2631R  
S70780E

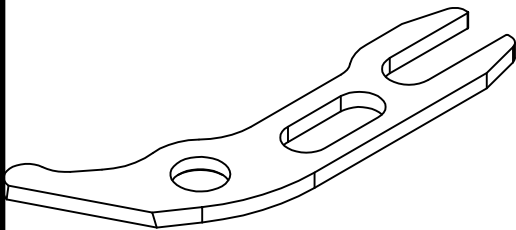
● (2631L)  
(70698K)



● 2632R  
70780D

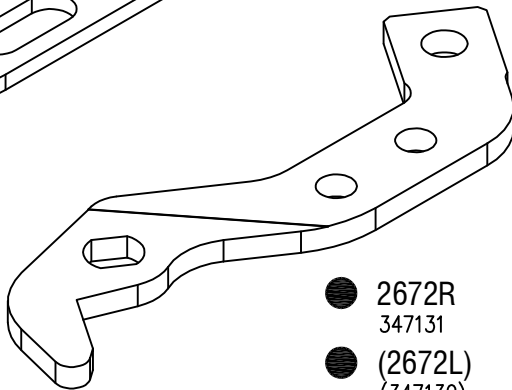
● (2632L)  
(70698H)

## DORNIER 2670 - SELVEDGE CUTTER RH & LH



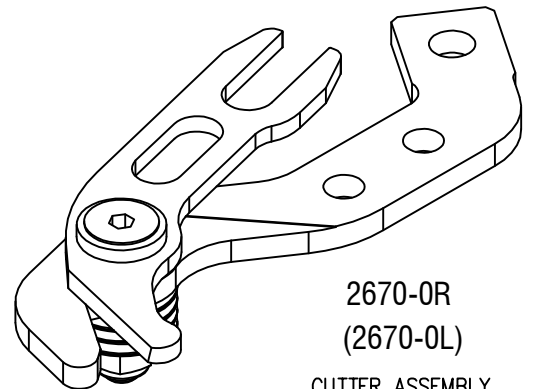
● 2671R  
347132

● (2671L)  
(347129)



● 2672R  
347131

● (2672L)  
(347130)

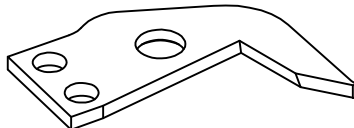


2670-0R  
(2670-0L)  
CUTTER ASSEMBLY

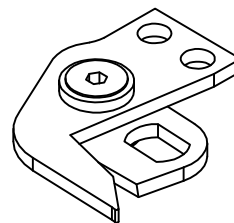
## DORNIER 3740 - SELVEDGE CUTTER RH & LH



● 3741L  
322553



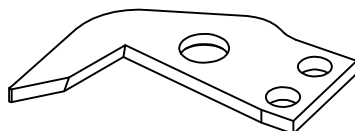
● 3742R  
327409



3740-0R  
(3740-0L)  
CUTTER ASSEMBLY



● 3741R  
322552

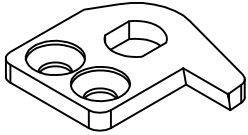


● 3742L  
327829

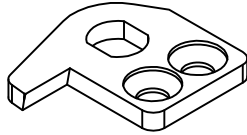
MATERIAL CODE : ● SOLID CARBIDE , ◐ BRAZED CARBIDE , ★ SPECIAL APPLICATION , ⊕ WITH HARDWARE

# FOR DORNIER AIR JET & RAPIER

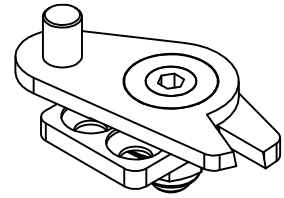
## DORNIER 3720 - TUCKIN SELVEDGE CUTTER RH & LH



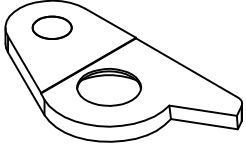
✚ 3721R  
472062G



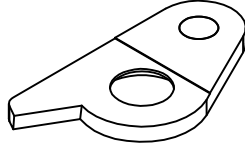
✚ 3721L  
472063D



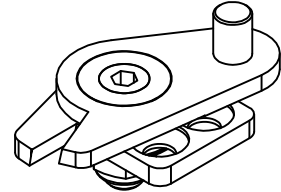
3720-0R  
ASSEMBLY RH



● 3722R  
881026G

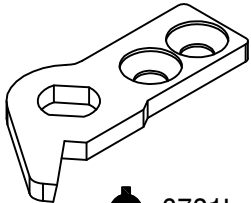


● 3722L  
881025D

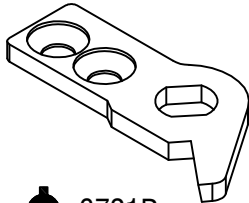


3720-0L  
ASSEMBLY LH

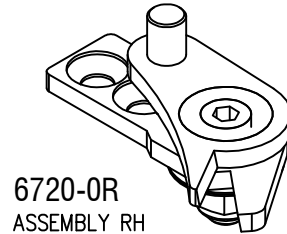
## DORNIER 6720 - TUCKIN SELVEDGE CUTTER RH & LH



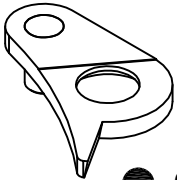
✚ 6721L



✚ 6721R



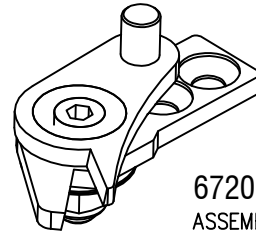
6720-0R  
ASSEMBLY RH



● 6722L

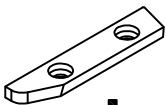


● 6722R

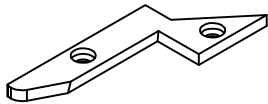


6720-0L  
ASSEMBLY LH

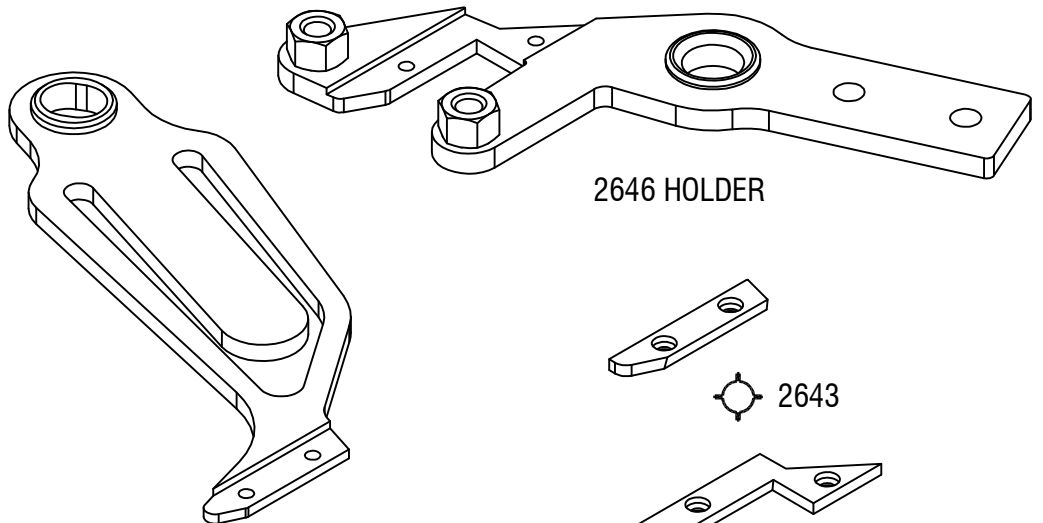
## DORNIER 2640 - MOTORIZED SELVEDGE CUTTER



✚ 2641  
347177

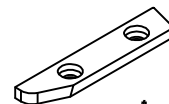


✚ 2642  
347176

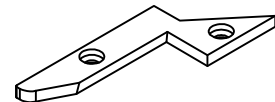


2646 HOLDER

2645 HOLDER



⊕ 2643



⊕ 2644

MATERIAL CODE : ● SOLID CARBIDE , ◐ BRAZED CARBIDE , ★ SPECIAL APPLICATION, ⊕ WITH HARDWARE